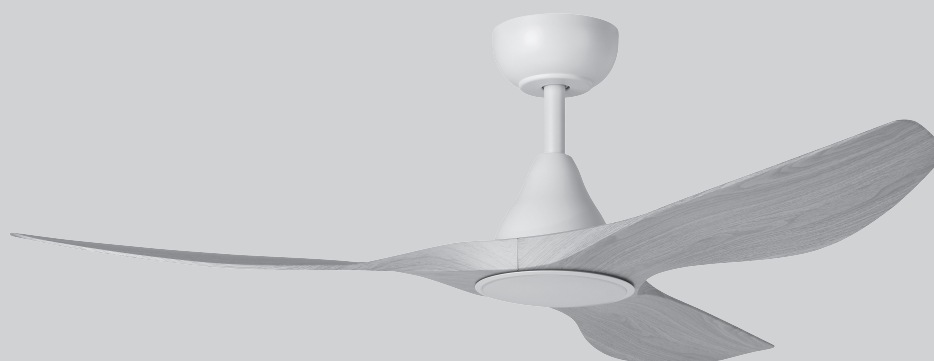
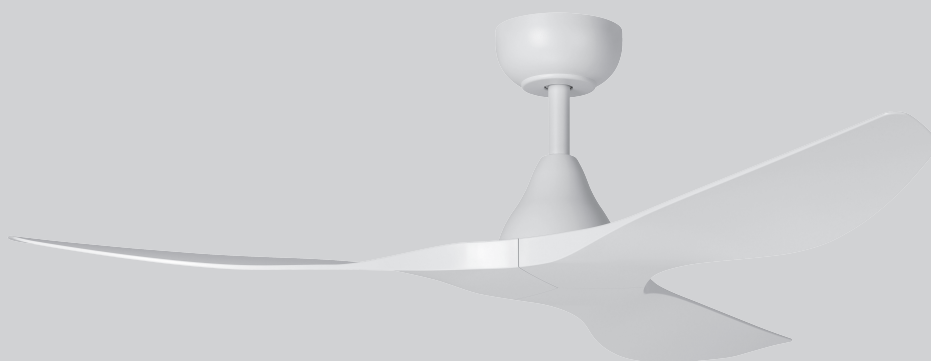




EGLO
my fan | my style



SURFLINE

Owners Guide (ENGLISH)

Safety

Installation

Operation

Technical

Warranty

No-light models: 235111-xxyyA

LED models: 235112-xxyyA

(xx = size, yy = color code)



EGLO Lighting has a policy of continual product improvement and development, dimensions, hardware and designs may change to reflect this policy. EGLO reserves the right to discontinue or change product specifications & designs at any time without notice and without incurring obligations. The images including all features and specifications in this manual are for illustrative purposes only. Product details images & line drawings may vary depending on specific product models.

Congratulations

Congratulations on the purchase of your new EGLO ceiling fan, your EGLO ceiling fan will improve your comfort every day, for many years to come.

This manual is designed to make installation as simple as possible and will help guide you through the assembly and installation of your new ceiling fan, as well as provide valuable safety information about your fan's installation, and operation. Please read all included instructions, installation procedures, troubleshooting guidelines and warranty information before starting installation.

We are here to help

For all questions about your ceiling fan please first read all included instructions, installation procedures, troubleshooting guidelines and warranty information. For missing parts, first carefully check the eco-friendly packaging, and if they cannot be located, contact EGLO for assistance.

Please have the following information when you call:

1. Model Name and Number
2. Part Description and Quantity
3. Date and Place of Purchase



+1 877 892 0007



Opening Hours: 8:30 a.m. - 5 p.m. EST



info-usa@eglo.com

Care for your environment

The carton and inner packaging of your new EGLO ceiling fan is made of eco-friendly recyclable materials, which you can recycle through your curbside collection, or through local community programs.



Do not dispose of electrical appliances in your curbside waste, use a separate collection facility, or drop them off at your nearest specific collection site. Check to see what is available in your locality.

If electrical appliances are disposed of in landfills or dumps, hazardous substances can leak into the ground water and get into the food chain, damaging your health and well-being.

Table of Contents

FOR YOUR SAFETY:	5
BEFORE INSTALLATION:	
WHAT COMES IN YOUR BOX:	6
TOOLS NEEDED TO COMPLETE YOUR INSTALLATION:	6
CHOOSING THE RIGHT LOCATION:	7
MOUNTING OPTIONS:	7
INSTALLATION:	
HANGING THE FAN:	8
MAKING THE ELECTRICAL CONNECTIONS:	9
FINISHING THE CANOPY INSTALLATION:	10
BLADE INSTALLATION:	11
INSTALLING THE LIGHT SHADE (LED Models):	11
RF CODE PAIRING SYNCHRONIZATION:	11
OPERATION:	
OPERATING YOUR REMOTE (LED Models):	12
OPERATING YOUR REMOTE (No-Light Models):	12
REVERSE FUNCTION:	13
NATURAL BREEZE:	13
SMART ENABLED:	13
CARING FOR YOUR FAN:	
MAINTENANCE:	14
CLEANING:	14
TECHNICAL INFORMATION:	15
TROUBLESHOOTING:	16
WARRANTY:	
LIMITED LIFETIME WARRANTY:	17
WHAT DOES THIS WARRANTY COVER:	17
WHAT IS NOT COVERED:	18
PRODUCT REGISTRATION CARD:	19

READ AND SAVE THESE INSTRUCTIONS

For Your Safety



Warning!

To avoid possible electrical shock, before installing or servicing your fan, disconnect the power by turning off the circuit breakers to the outlet box and associated wall switch location. If you cannot lock the circuit breakers in the off position, securely fasten a prominent warning device, such as a tag, to the service panel.

1. Read all safety information and instructions, including assembly diagrams, before installing your new fan.
2. All wiring must be in accordance with the national electrical code 'ANSI/NFPA 70', and local electrical codes. If you are unfamiliar with installing electrical wiring, or uncomfortable with any part of the installation, contact a qualified electrician to complete your installation.
3. **WARNING:** To reduce the risk of fire, electrical shock, or personal injury, mount fan to a metal octagonal outlet box marked "acceptable for fan support of at least 70 lbs (31.8 kg) and use ONLY the two steel mounting screws provided with the outlet box, and washers provided with the fan, for mounting to the outlet box. Most outlet boxes commonly used for the support of lighting fixtures are not acceptable for fan support and may need to be replaced, consult a qualified electrician if in doubt. Read less.
4. **WARNING:** Check that the outlet box is securely installed and capable of reliably supporting a minimum of 70 lbs (31.8kg). Use only UL Listed outlet boxes marked "FOR FAN SUPPORT".
5. After making electrical connections, spliced conductors should be turned upward and pushed carefully up into the outlet box. The wires should be spread apart with the grounded conductor and the equipment-grounding conductor on one side of the outlet box and ungrounded conductor on the other side of the outlet box.
6. Electrical diagrams are reference only. Light kit that are not packed with the fan must be UL Listed and marked suitable for use with the model fan you are installing. Switches must be UL General Use Switches. Refer to the instructions packaged with the light kits and switches for proper assembly.
7. The fan must be mounted a minimum of 7 feet (2.1 m) clearance from the trailing edge of the blades to the floor. There must also be a minimum of 24" (60 cm) clearance between the blade tip and the nearest wall or object.
8. Do not install or use your fan if any part/s are damaged or missing. Use only EGLO replacement parts.
9. All set screws must be checked and retightened where necessary before installation.
10. The safeguards and instructions in this manual are not designed to cover every possible condition or circumstance. It is understood that common sense, caution and care, are factors that cannot be built into the product, and those installing, operating and maintaining this product must supply these factors.
11. **WARNING:** To reduce the risk of electrical shock and fire, do not use this fan with any solid-state fan speed control device. Install and operate ONLY the EGLO controller supplied with your fan, or a suitable EGLO controller designed specifically for your fan.
12. **WARNING:** To reduce the risk of personal injury, do not bend the blade brackets, blade supports or other components when installing the blade brackets, balancing the blades, or cleaning the fan.
13. **WARNING:** Do not insert foreign objects into or in-between rotating fan blades.
14. ONLY change the direction of your fan as instructed to in this manual.
15. Turn the fan off and wait for the blades to come to a complete stop before performing any maintenance or cleaning. Always be cautious when working around or cleaning the fan.
16. Do not use water or detergents when cleaning the fan or fan blades. A dry dust cloth or lightly dampened cloth will be suitable for most cleaning.
17. This device complies with part 15 of the FCC Rules. Operation is subject to the following two conditions:
 - This device may not cause harmful interference, and
 - This device must accept any interference received, including interference that may cause undesired operation.

Note: This equipment has been tested and found to comply with the limits for a Class B digital device, pursuant to part 15 of the FCC Rules. These limits are designed to provide reasonable protection against harmful interference in a residential installation. This equipment generates, uses and can radiate radio frequency energy and if not installed and used in accordance with the instructions may cause harmful interference to radio communications.

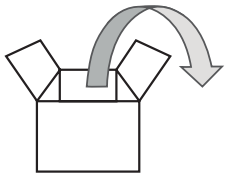
However, there is no guarantee that interference will not occur in a particular installation. If this equipment does cause harmful interference to radio or television reception, which can be determined by turning the equipment off and on, try to correct the interference by one or more of the following measures:

 - Reorient or relocate the receiving antenna.
 - Increase the separation between the equipment and receiver.
 - Connect the equipment into an outlet on a circuit different from that to which the receiver is connected.
 - Consult the dealer or an experienced radio/TV technician for help.

Caution: Modifications not approved by the party responsible for compliance could void user's authority to operate the equipment.
18. This appliance is not intended for use by persons (including children) with reduced physical, sensory, or mental capabilities, or lack of experience and knowledge, unless they have been given supervision or instruction concerning the use of the appliance by a person responsible for their safety.
19. Do NOT allow children to play with this appliance and always supervise children around electrical devices.
20. EGLO USA will not be liable for any advice given to the consumer from any 3rd parties including suppliers, retailers & electricians.

Before Installation

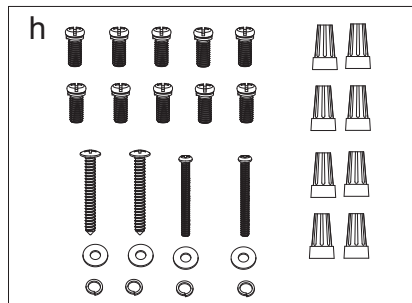
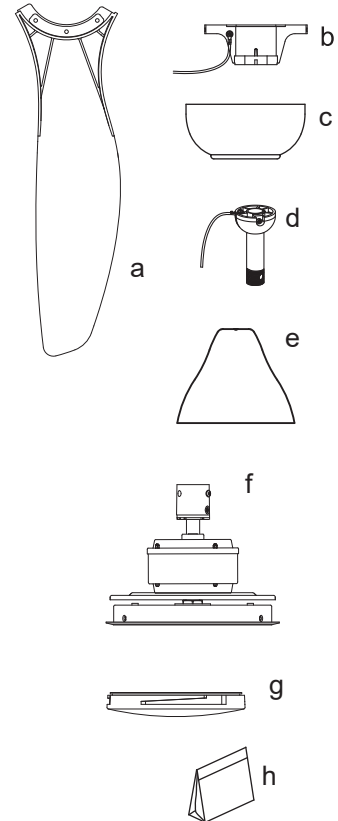
What comes in your box



- Carefully unpack your fan on a soft surface to avoid damage to the fan finish.
- Do not lay the motor housing on its side, as the decorative housings may become bent or damaged.
- Check that all parts are present before commencing assembly. Refer to Parts List.
- If any parts are missing, carefully check the eco friendly packaging for the missing parts, and if they cannot be located, contact EGLO for assistance before commencing assembly or installation.

Parts List:

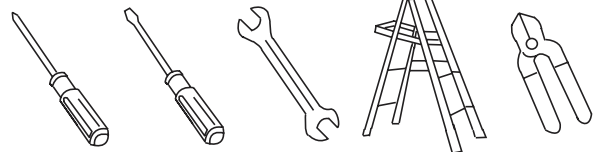
- a. Blade set (3)
- b. Ceiling mounting bracket
- c. Canopy & canopy ring
- d. Downrod assembly
- e. Coupling cover
- f. Fan motor assembly
- g. Light shade (LED models)
- h. Hardware package
 - 2 x wood screws & washers
 - 2 x ceiling bracket screws & washers
 - Wire nuts
 - 10 x blade attachment screws & washers
 - 1 x Remote control & receiver (not pictured)



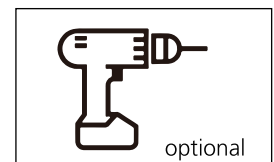
Tools needed to complete your installation



- Philips head screwdriver
- Blade head screwdriver
- 7/16" (11 mm) wrench
- Step ladder
- Wire cutters
- Optional – drill & drill bit



NOTE: Electric drivers can overtighten screws and damage threads, DO NOT use electric drivers for fan blade screws.

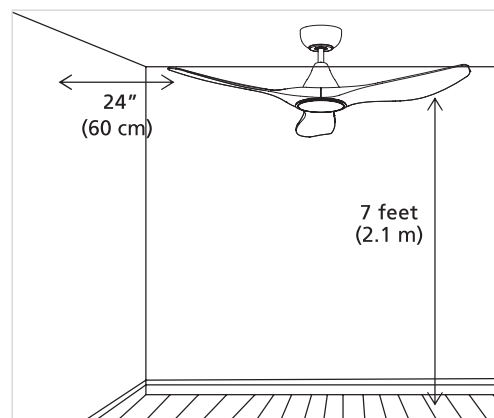


Before Installation

Choosing the right location

The ceiling fan must be installed in so that:

- The blades are a minimum 24" (60cm) spacing from the tip of the blade, to the nearest obstruction or wall.
- The trailing edge of the blades are a minimum of 7 feet (2.1m) above from the floor.
- EGLO Surfline ceiling fans are suitable for indoor, as well as appropriately covered outdoor locations.



Mounting options

If there is no existing outlet box, then read the following instructions:

1. Disconnect the power by switching the power off at Service panel and lock service disconnecting means to prevent power from being turned on accidentally. If you cannot lock the service disconnecting means, securely fasten a warning device like a tag to the Service panel.
2. Secure the outlet box directly to the building structure. Use appropriate fasteners and building materials.

The outlet box and its support must be able to fully support the moving weight of the fan (at least 70 lbs.). Do not use plastic outlet boxes, use only UL Listed outlet boxes marked "FOR FAN SUPPORT".

Option 1. Recessed outlet box mounted to support brace fitted securely between joists. (Fig. 1)

Option 2. Recessed outlet box mounted to the underside of joist. (Fig. 2) & Outlet box mounted to support brace laminated to side of joist. (Fig. 2)

Option 3. Recessed outlet box mounted to Joist on angled ceiling. (Fig. 3)

NOTE: Angled ceiling maximum 20° angle. For mounting on ceilings above 20° angle, you will need an EGLO Sloped Ceiling Canopy. You may also need a longer downrod to maintain proper blade clearance when installing on a steeply sloped ceiling

Option 4. Outlet box mounted to a hanger bar (sold separately) secured between joists to hang your fan where there is an existing fixture but no ceiling joist. (Fig. 4)

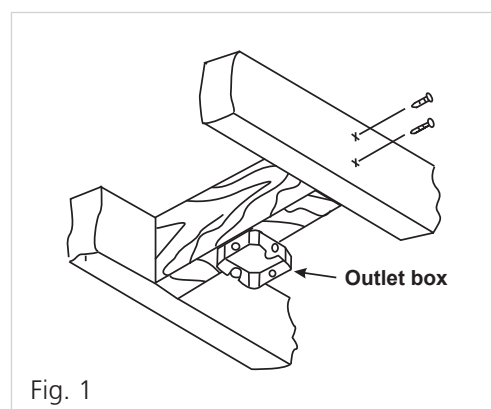


Fig. 1

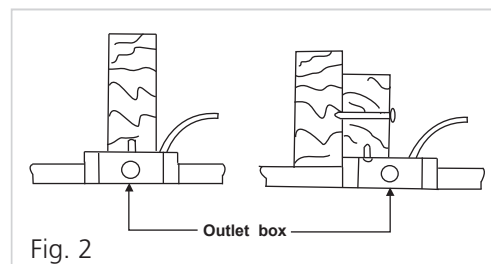


Fig. 2

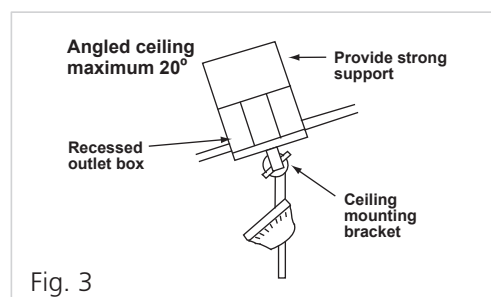


Fig. 3

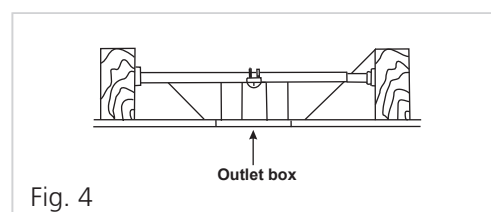
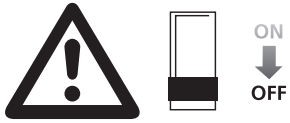


Fig. 4

Installation

Warning!



WARNING: To avoid possible electric shock, before installing your fan, disconnect the power by turning off the circuit breakers to the outlet box associated with the wall switch location.

Hanging the fan

- Step 1.** Pass the 120-volt supply wires through the center hole in the ceiling mounting bracket as shown in Fig. 5.
- Step 2.** Secure the ceiling mounting bracket to the ceiling outlet box with the screws included with fan outlet box, and washers provided with the fan. (Fig. 5)
- Step 3.** Remove the hitch pin and lock pin from the bottom of downrod, and remove the set screws from the top of the motor assembly.
- Step 4.** Route wires exiting from the top of the fan motor through the canopy, coupling cover and then through the ball/downrod. (Fig. 6)
- Step 5.** Screw the downrod into the coupling, then align the holes at the bottom of the downrod with the holes in the collar on top of the motor housing. Carefully insert the hitch pin through the holes in the collar and downrod. Be careful not to jam the pin against the wiring inside the downrod. Insert the lock pin through the hole near the end of the hitch pin until it snaps into its locked position. (Fig. 6)
- Step 6.** FIRMLY tighten two set screws on top of the fan motor.
- Step 7.** Place the downrod ball into the ceiling mounting bracket ensuring the registration slot of the hanger ball is positioned on the stopper of the ceiling bracket to prevent the fan from rotating when in operation. (Fig. 7)

Fig. 5

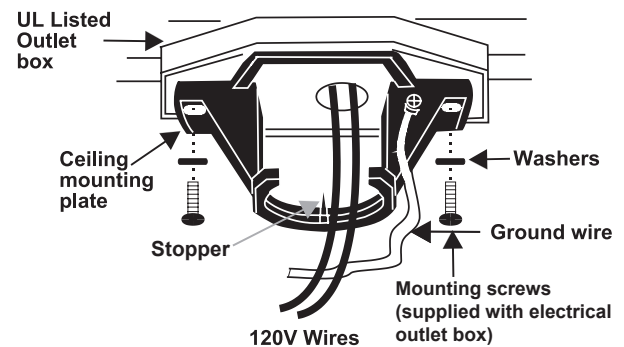


Fig. 6

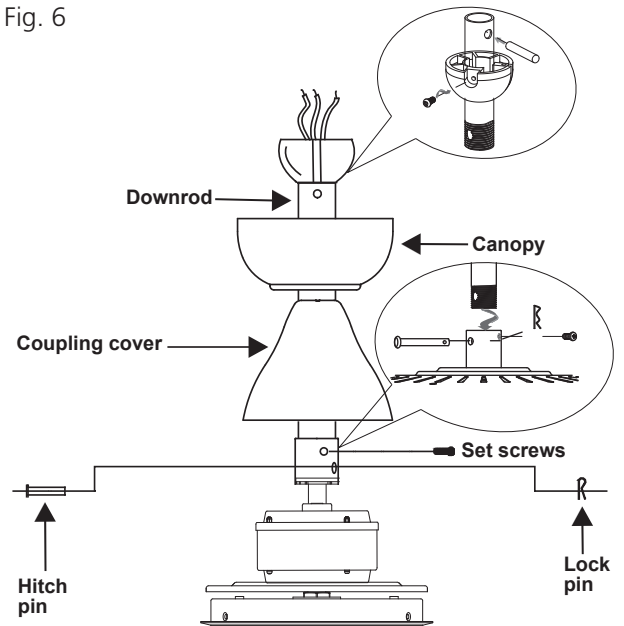
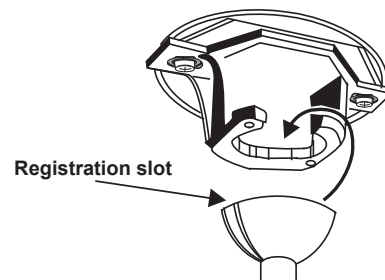
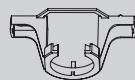


Fig. 7



For angled ceilings, position the ceiling mounting bracket so that the opening is facing toward the peak.



To reduce the risk of fire, electric shock, or other personal injury, mount fan only on an outlet box or supporting system marked acceptable for fan support.

Installation

Warning!



WARNING: To avoid possible electric shock, before installing your fan, disconnect the power by turning off the circuit breakers to the outlet box associated with the wall switch location.

Making the electrical connections

Your EGLO fan is supplied with 80" lead wires to enable use with up to 72" downrods (sold separately). Should you not require the full length of lead wire, carefully cut all wires ensuring there is sufficient to properly complete the installation.

If you not require an extension downrod you can either:

Coil the excess cables around the ceiling bracket and store within the canopy, or,

Cut and reconnect the cables with wire nuts. If you choose this option, please make sure your cut is close to the plug connector and ensure there is sufficient wire remaining to allow for wire nut connection.

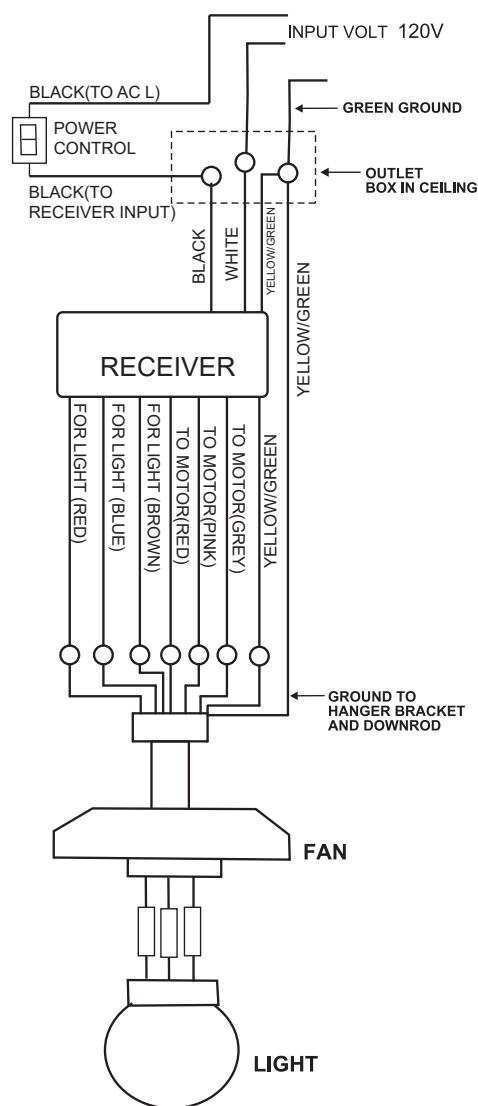
NOTE: The wire color out of wall isolation switch may vary, see wall switch's installation manual for correct wire connections.

NOTE: Turn the connecting nuts upward and push the wiring into the outlet box; spread the wires apart with the grounded conductor and the equipment-grounding conductor on one side of the outlet box and the ungrounded conductor on the other side of the outlet box.

WARNING!

DO NOT USE THIS DC MOTOR FAN IN CONJUNCTION WITH ANY VARIABLE (RHEOSTAT) WALL CONTROL .

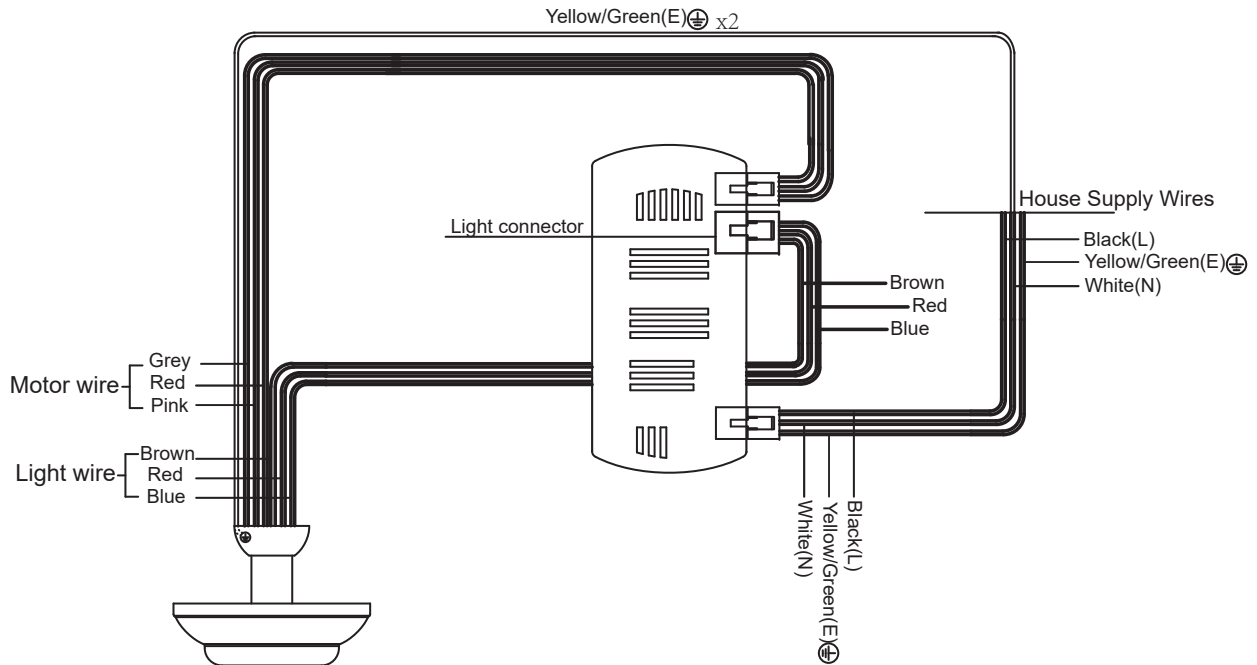
Fig. 8



Note: Light wires on LED models only.

Installation

Fig. 9



Finishing the canopy installation

- Step 8.** After completing the wire connections, place the remote receiver into the ceiling mounting bracket, and tuck all connections neatly into the ceiling outlet box. (Fig. 10)
- Step 9.** Partially remove the two screws on the underside of the ceiling mounting bracket. (Fig. 11)
- Step 10.** Attach the canopy by aligning the screw heads with the keyhole slots in canopy and pushing canopy onto bracket. Twist canopy clockwise to lock into position, then tighten the two screws. (Fig. 11)
- Step 11.** Raise the canopy ring up to the canopy, and push to the canopy. (Fig. 11)

Fig. 10

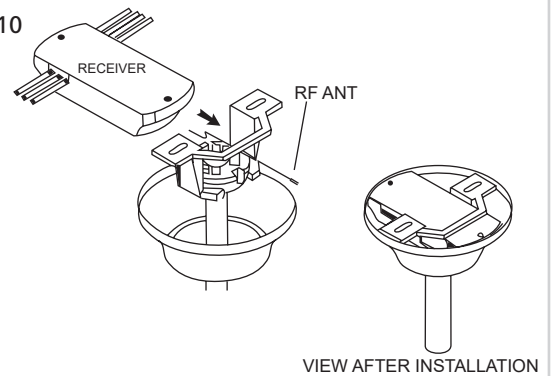
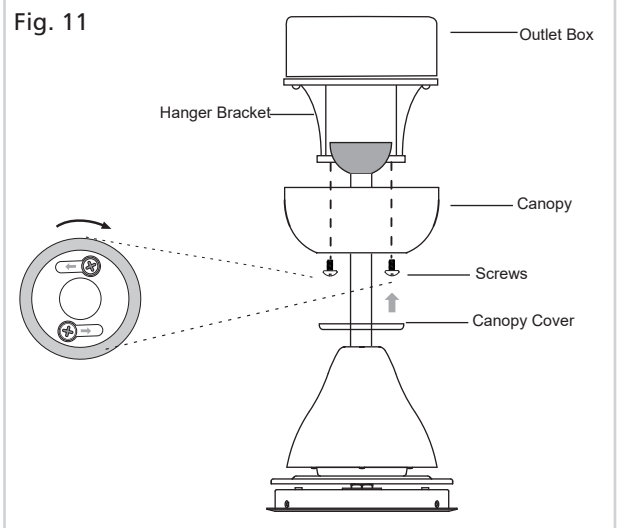


Fig. 11



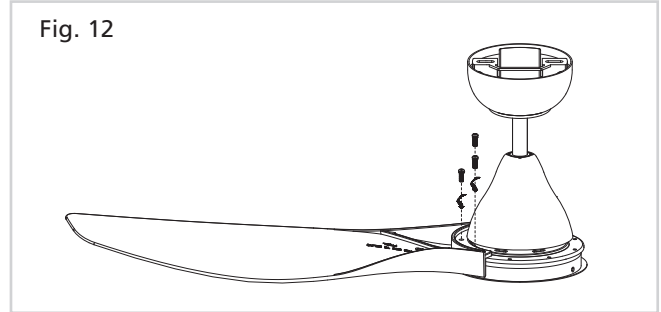
Installation

Blade installation

Step 12. Fasten each blade to the motor using three blade assembly screws per blade. (Fig. 12)

Step 13. Re-check that all screws are properly tightened.

Fig. 12



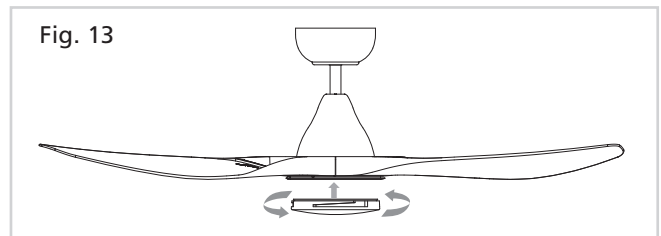
WARNING: To reduce the risk of personal injury, do not bend the blade brackets, blade supports or other components when installing the blade brackets, balancing the blades, or cleaning the fan.

WARNING: Do not insert foreign objects into or in-between rotating fan blades.

Installing the light shade (LED Model)

Step 14. Install the shade by aligning with the light kit and twisting clockwise to secure. (Fig. 13)

Fig. 13



RF Code Pairing Synchronization

Your EGLO SURFLINE ceiling fans remote control eliminates dip switches and frequency interference through its RF Code Pairing Synchronization, meaning the control and the fan are automatically paired together with a unique code. For your convenience, this is pre-set at the factory.

Should you ever need to replace the remote control or re-pair, follow these simple steps. (Blades must be attached, or fan will not continue to operate)

SINGLE FAN INSTALLATION:

1. Switch the power supply ON. If your fan is already on, switch the power off, wait 60 seconds, then switch the power on.
2. Within 30 seconds of the receiver being powered on (connected) aim the transmitter towards the receiver and press "FAN OFF" button for 10 seconds or until a beep sound is heard meaning pairing has been successful. This must be done prior to fixing canopy in place.
3. Complete assembly of canopy.

MULTIPLE FAN INSTALLATION:

Important: The pairing/syncing of each fan and remote MUST be done with all other fans disconnected from the power supply.

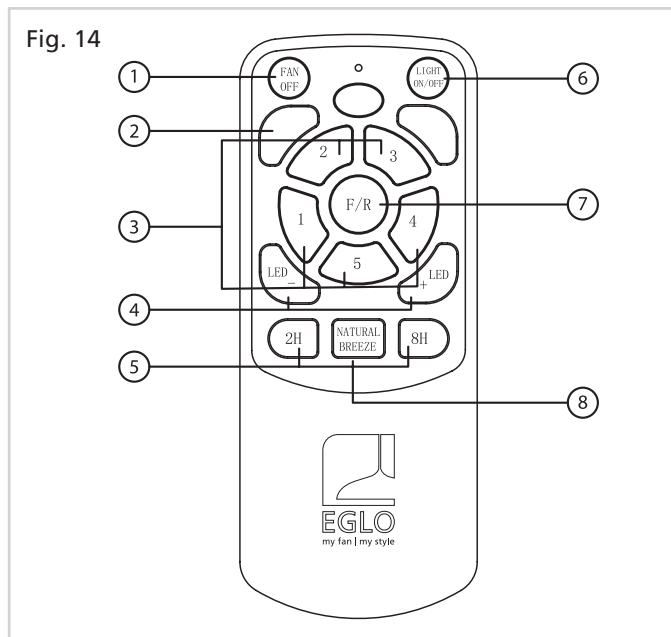
1. Fan #1 - Connect wiring and switch the power supply ON.
2. Within 30 seconds of the receiver being powered on (connected) aim the transmitter towards the receiver and press "FAN OFF" button for 10 seconds or until a beep sound is heard meaning pairing has been successful. This must be done prior to fixing canopy in place.
3. Disconnect fan #1 from the power supply.
4. Repeat steps 1-3 for each subsequent fan, ensuring that each additional fan is disconnected from the power supply before moving on to syncing the next fan.
5. Only once all fans have been paired/synced and successfully tested on separate remote-control transmitters, can all fans then be reconnected to power, and assembly of canopy completed.

Note: If the remote does not pair/sync, disconnect power from fan and leave disconnected for 60 seconds, before reconnecting and starting steps 1-3 again. Disconnection from power supply must be for minimum of 60 seconds.

Operation

Operating your remote (LED models)

1. Turn fan OFF
2. Change light color:
 - ☑ Warm White 2700K
 - Soft White 3000K
 - ☑ Neutral White 4000K
3. Fan speeds & ON:
 - 1 - Lowest speed
 - 2 - Low speed
 - 3 - Medium speed
 - 4 - High speed
 - 5 - Highest speed
4. Increase Brightness (+)
Decrease Brightness (-)
5. Timer:
 - 2H – Fan turns off after 2 hours
 - 8H – Fan turns off after 8 hours
6. Turn light ON & OFF
7. Forward / Reverse function
8. Natural Breeze function



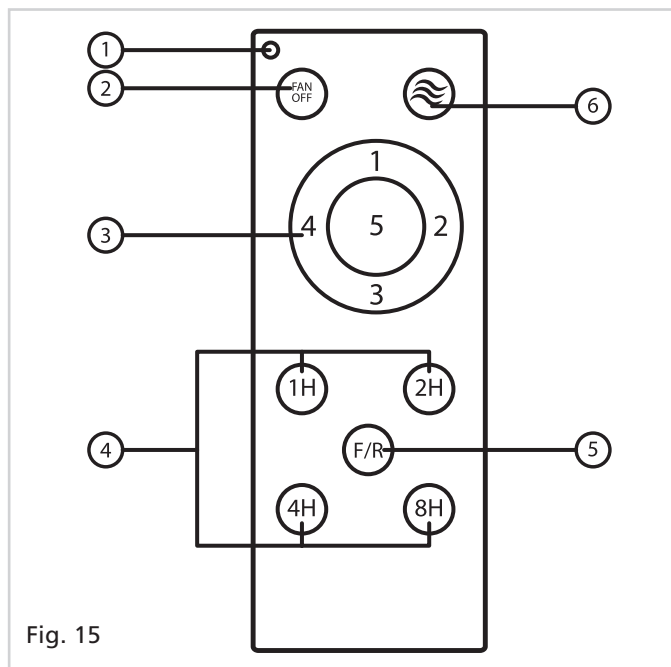
Your Surfline ceiling fan includes an integrated Tri-color light so you can switch between warm white, soft white & neutral white from your Westerly remote control - Your light, your way!



Your Surfline LED light is also equipped with a stepless dimming function allowing you to set the right level of light for every room, using your remote-control.

Operating your remote (no-light models)

1. LED Indicator Light
2. Turn fan OFF
3. Fan Speed & ON
 - 1 - Lowest speed
 - 2 - Low speed
 - 3 - Medium speed
 - 4 - High speed
 - 5 - Highest speed
4. Timer:
 - 1H - Fan turns off after 1 Hour
 - 2H - Fan turns off after 2 Hour
 - 4H - Fan turns off after 4 Hour
 - 8H - Fan turns off after 8 Hour
5. Forward / Reverse function
6. Natural Breeze function



Note: Speed settings for warm or cool weather depend on factors such as room size, ceiling height, quantity of fans, and personal preference. Experiment with varying settings to find the right speed for you and your fan

Operation

Reverse Function

Your ceiling fan can operate either in "Summer (Forward)" mode or "Winter (Reverse)" mode.

To switch your ceiling fan between summer and winter mode, while the fan is running press the F/R button on your remote control, a single beep will be heard to indicate the fan is engaging change of direction. The fan will slow and change direction, during which time, the fan speed function is disabled until direction has been changed.



SUMMER (Forward)

For a cooling effect during summer, your ceiling fan should run in a counter clockwise direction, forcing the room air down and outwards, creating a wind chill effect that makes you feel cooler.



WINTER (Reverse)

During the winter, your fan should run in a clockwise direction at low speed. This will gently draw the warmer air down from the ceiling, balancing the rooms temperature, and allowing you to lower your heating thermostat.

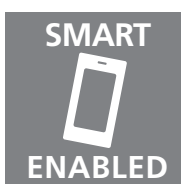
Natural Breeze



EGLO SURFLINE ceiling fans are equipped with a 'Natural Breeze' function, which is a fluctuating pattern of speeds to emulate a natural breeze.

To activate Natural Breeze function, simply press on the corresponding button on your Surflin remote control.

Smart Enabled



Your EGLO SURFLINE ceiling fans is supplied 'Smart Enabled', meaning if you choose, you can easily download an app to start controlling your fan from your smart device (smart device not included), or simply use your fan with the included remote control.

To enable your SURFLINE ceiling fan, please refer to the Smart Manual contained with your ceiling fan.

NOTE: Not choosing to enable the Smart Control will not impede the operation of your ceiling fan or remote control in any way – **Your Fan, Your Way!**

Caring for your fan



ON
↓
OFF

WARNING: To avoid possible electric shock, before performing any maintenance or cleaning on your fan, disconnect the power by turning off the circuit breakers to the outlet box associated with the wall switch location.

Maintenance

All EGLO ceiling fans need be maintained regularly to ensure performance is maintained.

Your fans natural movement can cause screws to loosen. Every 6 months, check that ALL screws are securely tightened with a screwdriver. It is not necessary to remove the fan from the ceiling.

There is no need to oil your fan. The motor has permanently lubricated bearings.

Cleaning

All EGLO ventilation products should be cleaned regularly to insure against corrosion from salt, dust and moisture, both externally and internal (where allowed and possible). Cleaning your fan periodically will help maintain its appearance over the years.

All electroplated components have been sealed with a lacquer to minimize discoloration or tarnishing. To avoid scratching these finishes, use only a soft brush or lint-free cloth. For painted finishes, cover any small scratches with a light application of shoe polish in a suitable color.

Wooden blades can be treated with a light coating of suitable furniture polish to bring them back to their best appearance.

Do not use water when cleaning. Water can damage the motor or could cause an electrical hazard. Surface smudges or an accumulation of dirt and dust can easily be removed by using only a slightly dampened cloth. Do NOT use abrasive cleaning agents as they may damage the finish.

Technical information

To maximize energy savings, select a fan with a high airflow efficiency, and always turn fans off when you leave the room.

- Ceiling fan airflow is measured in cubic feet per minute (CFM).
- Power use is measured in watts (W).
- Airflow efficiency is measured by dividing airflow by wattage (CFM/W)

(xx = size, yy = color code)

SURFLINE No-light (235111-xyyyA)

FAN SIZE	SPEED	VOLTS	FAN WATTS	RPM	AIRFLOW (CFM)	AIRFLOW EFFICIENCY (CFM/W)	N.W.(LBS)
52"	1	120	2.6	75	1,961	754.23	10.36 lbs (4.7 kg)
	2	120	4.6	100	3,087	671.09	
	3	120	7.2	120	3,704	514.44	
	4	120	14.0	150	4,630	330.71	
	5	120	26.0	180	5,556	213.69	
60"	1	120	2.5	71	2,179	871.60	11.02 lbs (5 kg)
	2	120	4.0	90	3,550	887.50	
	3	120	7.3	115	4,536	621.37	
	4	120	11.0	135	5,324	484.00	
	5	120	27.0	167	6,587	243.96	

SURFLINE LED (235112-xyyyA)

FAN SIZE	SPEED	VOLTS	LIGHT WATTS	LUMENS	FAN WATTS	RPM	AIRFLOW (CFM)	AIRFLOW EFFICIENCY (CFM/W)	N.W.(LBS)
52"	1	120	20W	1790lm (2700K) 2000lm (3000K) 2200lm (4000K)	2.6	75	1,961	754.23	11.24 lbs (5.1 kg)
	2	120	20W		4.6	100	3,087	671.09	
	3	120	20W		7.2	120	3,704	514.44	
	4	120	20W		14.0	150	4,630	330.71	
	5	120	20W		26.0	180	5,556	213.69	
60"	1	120	20W	1790lm (2700K) 2000lm (3000K) 2200lm (4000K)	2.5	71	2,179	871.60	11.90 lbs (5.4 kg)
	2	120	20W		4.0	90	3,550	887.50	
	3	120	20W		7.3	115	4,536	621.37	
	4	120	20W		11.0	135	5,324	484.00	
	5	120	20W		27.0	167	6,587	243.96	

Troubleshooting

PROBLEM	POSSIBLE CAUSE	POSSIBLE REMEDY
Fan will not start.	Fuse or circuit breaker blown.	Turn power OFF. Check main and branch circuit fuses and circuit breakers.
	Loose connections.	Turn power OFF. Check line wire connections to the fan and switch wire connections to fan are properly connected.
	Controller/switch issues.	Check that fan controller is in the correct position. If this fan uses a remote control, make sure the dip switches are in the correct position and the batteries are working. For remote controls with Code Pairing Synchronization, re-pair remote transmitter to remote receiver..
	Reverse switch not in correct position.	If this fan uses a manual forward/reverse switch, make sure the switch is pushed firmly in either direction, it must be in forward or reverse direction.
Light will not start.	Wiring	Check that blue wire from fan is connected to hot wire from house.
	Loose connections.	Check for loose wires / connections behind the fan light assembly.
	Loose connections.	Check for loose wires / connections in the fan light.
	Faulty or incorrectly installed bulb	Check that all bulbs are operational, replace if necessary, and ensure that properly installed into sockets.
	Loose connections.	Unplug any 'plug connections' and plug together again to ensure proper connection
	Controller issues.	Check that light switch is in the correct position. If this fan uses a remote control, make sure the dip switches are in the correct position and the batteries are working. For remote controls with Code Pairing Synchronization, re-pair remote transmitter to remote receiver.
Fan Wobbles.	Fan hanger ball not seated correctly in ceiling mounting bracket.	Turn power OFF. Support the fan very carefully and rotate the hanger ball to ensure the notch on the hanger ball engages with the ridge on the mounting bracket.
	Mounting bracket, canopy connection to outlet box.	Check to ensure that the mounting bracket is securely and correctly fastened to the outlet box, and that the canopy is securely fixed to the mounting bracket, and canopy ring firmly in place.
	Blade screws are loose.	Check that all blades are securely tightened. Do NOT overtighten.
	Blade holders are loose.	Check that all blade holders are securely tightened. Do NOT overtighten.
	Fan blade levels are unequal.	Wobble may result from inconsistent blade level, check this by selecting a point on the ceiling above one of the blade tips, and measure from the tip of the blade to the ceiling. Without moving the ruler, rotate the fan so that the next blade can be measured, and repeat for every blade. If the measurements are more than 1/8" different, you can adjust the blade heights. To adjust a blade tip down, insert a washer (sold separately) between the blade and the blade holder/motor, at the screw closest to the motor. To adjust a blade tip up, insert a washer (sold separately) between the blade and the blade holder/motor, at the screw/s furthest from the motor. Interchanging blades from the same model can redistribute the weight and result in smoother operation. Out of shaped blades can unbalance the fan and cause wobble. Check by removing all blades and stacking on a flat level surface and ensure all blades are a uniform shape. If the above steps do not eliminate the wobble, you will need to dynamically balance the fan.
	Fan requires balancing.	Use a Blade Balancing Kit to balance the fan.
Fan sounds noisy.	Top canopy touching ceiling.	Lower the decorative canopy so that it does not contact the ceiling.
	Loose housing screws.	Make sure all motor housing screws are tight.
	Loose blade bracket screws.	Make sure the screws that attach the fan blade bracket to the motor hub is tight.
	Loose blade screws.	Check that all screws are securely tightened. Do NOT overtighten.
	Rubbing wire nut connections.	Turn power OFF. Make sure wire nut connections are not rubbing against each other or against the interior wall of the switch housing/canopy.
	Loose glassware, bulbs or shade.	Check that the light shade is secured correctly, and that any bulbs used are securely fitted.
	Solid state speed control connected.	Some fan motors are sensitive to signals from solid-state variable speed controls. If you have installed this type of control, replace with a suitable controller underline.
	Mounting bracket not installed correctly.	Turn power OFF. Check and if necessary, re-install the ceiling mounting bracket if not installed correctly.
	Incorrect controller.	Turn power OFF. Change the controller to the supplied controller.
	NOTE: When it is quiet at night, you may hear occasional small noises, THIS IS NORMAL! Please allow a 24-hour 'settling-in' period, as most noises associated with a new fan disappear during this initial period. All electric motors make noise to some extent.	

Warranty

Limited Lifetime Warranty

EGLO USA, INC. extends the following Limited Lifetime Warranty to the original user or consumer purchaser of this ceiling fan. To assure that this limited lifetime warranty is effective, please complete the following Product Registration Card, and mail to EGLO's Customer Service Center within ten (10) days from the date of purchase.

Proof Of Purchase Is Required

When requesting warranty service, proof of purchase is required. The original purchaser must present a sales receipt or other document that establishes proof of purchase. EGLO, at its sole discretion, may accept a gift receipt as proof of purchase. To obtain service, please contact EGLO online, via email, or by phone.



EGLO USA INC.
3640 Royal South Parkway,
ATLANTA, GEORGIA 30349
Phone: +1 404 477 5601
Email: info-usa@eglo.com

What Does This Warranty Cover?

Motor - Limited Lifetime Warranty

If any part of your ceiling fan motor fails during at any time during your ownership of the fan due to a defect in material or workmanship, as determined solely by EGLO, EGLO will provide you with a replacement motor free of charge. The foregoing limited warranty applies only to the motor itself and does not apply to electronic controls (handheld or wall mounted remote control transmitters, remote control receivers, wall controls or capacitors) used in conjunction with the motor.

Light Kits / Included Lights – Warranty May Vary

Except as otherwise stated within this warranty, if any part of your EGLO light kit, or included light fails due to a defect in material or workmanship, it is covered under EGLO's one (1) year warranty.

If your LED light module (not including glass components) or LED bulb fails at any time within five (5) years of the date of purchase due to a defect in material or workmanship, as determined solely by EGLO, EGLO will repair the part or provide you with a replacement part free of charge.

Controls – One Year Warranty

Except as otherwise stated within this warranty, if any part of your EGLO fan control items fail, at any time within one (3) year of the date of purchase due to a defect in material or workmanship, as determined solely by EGLO, EGLO will provide you with a replacement part free of charge.

Batteries (if supplied), are done so as a complimentary (free) item only and are not covered by warranty.

Light Bulbs (if supplied), are done so as a complimentary (free) item only and are not covered by warranty.

EGLO USA INC. reserves the right to modify or discontinue any product at any time and will supply equal or similar parts and/or product in the event of replacement.

In cases where factory repair or replacement is required, arrangements must be made with an authorized customer service representative prior to return. Under no circumstances should a product be returned without prior authorization, and then only upon the issuance of a returned goods authorization number. To prevent damage in transit, all products must be returned in their original shipping carton and protection, as EGLO will not be responsible for any such damage. Authorized returns of defective parts or accessories should be shipped freight and insurance charged prepaid to EGLO USA INC.

FOR BREACH OF ANY WRITTEN EXPRESS OR IMPLIED WARRANTY ON THIS PRODUCT, THE CONSUMER IS LIMITED EXCLUSIVELY TO THE REMEDIES PROVIDED IN THIS LIMITED LIFETIME WARRANTY. IN NO EVENT SHALL EGLO USA INC. BE LIABLE FOR ANY CONSEQUENTIAL, OR INCIDENTAL DAMAGES. Some states do not allow the exclusion or limitation of incidental damages so the above limitation or exclusion may not apply to you.

ANY IMPLIED WARRANTIES OF MERCHANTABILITY OR FITNESS FOR A PARTICULAR PURPOSE APPLICABLE TO THE PRODUCT ARE LIMITED IN DURATION TO THE PERIOD OF COVERAGE OF THE APPLICABLE LIMITED WARRANTIES SET FORTH ABOVE. Some states do not allow limitations on how long an implied warranty lasts, so the above limitation may not apply to you.

What Is Not Covered

- This warranty does not cover any costs or fees associated with the labor (including electrician's fees) required to install, remove, or replace a fan or any fan parts, these costs are the expressed responsibility of the original user/purchaser.
- There is no warranty for:
 - Light bulbs or remote-control batteries, except where otherwise set forth herein.
 - EGLO fans purchased from or installed outside of the United States.
 - Fans owned by someone other than the original purchaser.
 - Fans for which proof of purchase has not been established.
 - Fans purchased from an unauthorized dealer.
 - Ordinary wear and tear.
 - Minor cosmetic blemishes.
 - Refurbished fans.
 - EGLO products not installed in accordance with the product's installation instructions or specifications.
 - EGLO products not operated in accordance with the instructions for use, or specifications.
 - Failures or faults not caused by a fault in the EGLO product materials or workmanship.
 - Non-structural corrosion damage of components such as surface rust or minor rust.
 - Fans that are damaged due to any of the following: improper installation, misuse, abuse, improper care, failure to follow EGLO instructions, accidental damage caused by the fan owner or related parties, modifications to the fan, improper or incorrectly performed maintenance or repair, improper voltage supply or power surge, use of improper parts or accessories, failure to provide maintenance to the fan, or acts of God (e.g., flood, damages from lightning, power grid fluctuations, or power surges).
 - Changes to the painted or plated finishes of the ceiling fan motor or blades due to climate conditions (moisture, salt, dust, etc).
 - Faults caused through incorrect positioning of fan (e.g., indoor fan installed in damp area).
 - Commercial use - EGLO products which are specifically designed for commercial use are designated as Commercial Use Products on the product packaging. All other EGLO products are designed for domestic use only. This fan is not designed or warranted for commercial applications unless authorized in writing by the EGLO FAN MANAGER.



LIMITED LIFETIME WARRANTY

PRODUCT REGISTRATION CARD

Please complete and return within ten (10) days of purchase

MR. MRS. MS. DR.

FIRST NAME: _____ LAST NAME: _____

STREET: _____ APT. NO.: _____

CITY: _____ STATE: _____ ZIP CODE: _____

DATE OF PURCHASE: _____ PURCHASE PRICE: _____

SERIES NAME: _____

MODEL NUMBER: _____

RECEIPT / PURCHASE NUMBER: _____

RETAILER NAME: _____

RETAILER ADDRESS: _____

RETAIL ASSISTANT: _____

SIGNATURE: _____ DATE: _____



GARANTÍA LIMITADA DE POR VIDA

GARANTÍA LIMITADA DE POR VIDA TARJETA DE REGISTRO DEL PRODUCTO

Complete y devuelva dentro de los diez (10) días posteriores a la compra

MR. MRS. MS. DR.

NOMBRE: _____ APELLIDO: _____

DIRECCION: _____ APT. NO.: _____

CIUDAD: _____ ESTADO: _____ ZIP CODE: _____

FECHAD DE COMPRA: _____ PRECIO DE COMPRA: _____

NOMBRE SERIES: _____

NUMERO DEL MODELO: _____

RECIBO / PURCHASE NUMBER: _____

NOMBRE DE TIENDA: _____

DIRECCION DE LA TIENDA: _____

ASISTENTE EN LA TIENDA: _____

FIRMA: _____ FECHA: _____

Lo que no está cubierto

- Esta garantía no cubre ningún costo o tarifa asociada con la mano de obra (incluidos los honorarios del electricista) necesarios para instalar, quitar o reemplazar un ventilador o cualquier parte del ventilador, estos costos son responsabilidad expresa del usuario / comprador original.
- No hay garantía para:
 - Bombillas o baterías de control remoto, excepto donde se indique lo contrario.
 - Ventiladores EGLO comprados o instalados fuera de los Estados Unidos.
 - Ventiladores propiedad de alguien que no sea el comprador original.
 - Abanicos para los que no se ha establecido comprobante de compra.
 - Ventiladores comprados a un distribuidor no autorizado.
 - Desgastes normales de uso.
 - Defectos cosméticos menores.
 - Ventiladores reacondicionados.
 - Productos EGLO que no se instalan de acuerdo con las instrucciones o especificaciones de instalación del producto.
 - Productos EGLO que no se utilizan de acuerdo con las instrucciones de uso o las especificaciones.
 - Fallos o fallas no causadas por fallas en los materiales o mano de obra del producto EGLO.
 - Daños por corrosión no estructural de componentes como óxido superficial u óxido menor.
 - Ventiladores que se dañan debido a cualquiera de los siguientes: instalación inadecuada, mal uso, abuso, cuidado inadecuado, incumplimiento de las instrucciones de EGLO, daño accidental causado por el propietario del ventilador o partes relacionadas, modificaciones al ventilador, mantenimiento o reparación inadecuado o realizado incorrectamente, suministro de voltaje inadecuado o sobretensión, uso de piezas o accesorios inadecuados, falta de mantenimiento del ventilador o casos fortuitos (por ejemplo, inundaciones, daños por rayos, fluctuaciones de la red eléctrica o subidas de tensión, viento excesivo y/o lluvia/granizo)
 - Cambios en los acabados pintados o chapados del motor o las aspas del ventilador de techo debido a las condiciones climáticas (humedad, sal, polvo, etc.).
 - Fallas causadas por el posicionamiento incorrecto del ventilador (por ejemplo, ventilador interior instalado en área húmeda).
 - Uso comercial: los productos EGLO que están diseñados específicamente para uso comercial están designados como Productos de uso comercial en el empaque del producto. Todos los demás productos EGLO están diseñados únicamente para uso doméstico. Este ventilador no está diseñado ni garantizado para aplicaciones comerciales a menos que lo autorice por escrito el ADMINISTRADOR DEL VENTILADOR DE EGLO

Garantía

Garantía Limitada de por Vida

EGLO USA, INC. extiende la siguiente Garantía Limitada de por Vida al usuario original o comprador consumidor de este ventilador de techo. Para asegurar que esta garantía limitada de por vida sea efectiva, complete la siguiente Tarjeta de registro del producto y envíela por correo al Centro de Servicio al Cliente de EGLO dentro de los diez (10) días a partir de la fecha de compra.

Se requiere comprobante de compra

Al solicitar el servicio de garantía, se requiere un comprobante de compra. El comprador original debe presentar un recibo de venta u otro documento que establezca el comprobante de compra. EGLO, a su entera discreción, puede aceptar un recibo de regalo como prueba de compra. Para obtener el servicio, comuníquese con EGLO en línea, por correo electrónico o por teléfono.



EGLO USA INC.
3640 Royal South Parkway,
ATLANTA, GEORGIA 30349
Phone: +1 404 477 5601
Email: info-usa@eglo.com

¿Qué cubre esta garantía?

Motor - Garantía limitada de por vida

Si alguna parte del motor de su ventilador de techo falla durante cualquier momento durante su propiedad del ventilador debido a un defecto en el material o la mano de obra, según lo determine únicamente EGLO, EGLO le proporcionará un motor de reemplazo de forma gratuita. La garantía limitada anterior se aplica solo al motor en sí y no se aplica a los componentes electrónicos (transmisores de control remoto, receptores de control remoto, controles de pared o condensadores) utilizados junto con el motor.

Juego de luces / Luces incluidas: la garantía puede variar

Salvo que se indique lo contrario dentro de esta garantía, si alguna parte de su equipo de iluminación EGLO, o luz incluida falla debido a un defecto en el material o la mano de obra, está cubierto por la garantía de un (1) año de EGLO. Si su módulo de luz LED (sin incluir componentes de vidrio) o bombilla LED falla en cualquier momento dentro de los cinco (5) años posteriores a la fecha de compra debido a un defecto en el material o la mano de obra, según lo determine únicamente EGLO, EGLO reparará la pieza o le proporcionará una pieza de repuesto de forma gratuita.

Controles – Un año de garantía

Salvo que se indique lo contrario en esta garantía, si alguna parte de sus artículos de control de ventiladores EGLO falla, en cualquier momento dentro de un (1) año a partir de la fecha de compra debido a un defecto en el material o la mano de obra, según lo determine únicamente EGLO, EGLO le proporcionará una pieza de repuesto de forma gratuita.

Las baterías (si se suministran) se ofrecen únicamente como artículo gratuito (gratis) y no están cubiertas por la garantía.

Las bombillas (si se suministran) se ofrecen únicamente como artículo gratuito (gratis) y no están cubiertas por la garantía.

EGLO USA INC. se reserva el derecho de modificar o descontinuar cualquier producto en cualquier momento y suministrará piezas y/o productos iguales o similares en caso de reemplazo.

En los casos en que se requiera reparación o reemplazo de fábrica, se deben hacer arreglos con un representante autorizado de servicio al cliente antes de la devolución. Bajo ninguna circunstancia se deberá devolver un producto sin autorización previa. Un producto sólo será aceptado después de la emisión de un número de autorización de devolución de mercancías. Todos los productos deben devolverse en su caja de envío original y con protección, ya que EGLO no será responsable de ningún daño durante el tránsito. Las devoluciones autorizadas de piezas o accesorios defectuosos deben enviarse con flete y seguro pagados por adelantado a EGLO USA INC.

EN CASO DE INCUMPLIMIENTO DE CUALQUIER GARANTÍA ESCRITA EXPRESA O IMPLÍCITA DE ESTE PRODUCTO, EL CONSUMIDOR SE LIMITA EXCLUSIVAMENTE A LOS RECURSOS PROPORCIONADOS EN ESTA GARANTÍA LIMITADA DE POR VIDA. EN NINGÚN CASO EGLO USA INC. SERÁ RESPONSABLE DE NINGÚN DAÑO CONSECUENTE O INCIDENTAL. Algunos estados no permiten la exclusión o limitación de daños incidentales, por lo que la limitación o exclusión anterior puede no aplicarse en su caso.

CUALQUIER GARANTÍA IMPLÍCITA DE COMERCIABILIDAD O IDONEIDAD PARA UN PROPÓSITO PARTICULAR APLICABLE AL PRODUCTO ESTÁ LIMITADA EN DURACIÓN AL PERÍODO DE COBERTURA DE LAS GARANTÍAS LIMITADAS APLICABLES ESTABLECIDAS ANTERIORMENTE. Algunos estados no permiten limitaciones sobre la duración de una garantía implícita, por lo que la limitación anterior puede no aplicarse en su caso.

Solución de problemas

PROBLEMA	CAUSA POSIBLE	POSIBLE REMEDIO
El ventilador no enciende.	Fusible o circuito fundido.	Apague la alimentación. Compruebe los fusibles del circuito principal y de derivación y los disyuntores.
	Conexiones sueltas.	Apague la alimentación. Compruebe que las conexiones de cable de línea al ventilador y las conexiones de cable del interruptor al ventilador estén conectadas correctamente.
	Problemas con el controlador/interruptor.	Compruebe que el controlador del ventilador esté en la posición correcta. Si este ventilador utiliza un control remoto, asegúrese de que los interruptores estén en la posición correcta y que las baterías estén funcionando. En los controles remotos con emparejamiento manual, vuelva a emparejar el transmisor remoto con el receptor remoto.
	El interruptor de marcha no está en la posición correcta.	Si este ventilador utiliza un interruptor manual de avance/retroceso, asegúrese de que el interruptor se empuje firmemente en cualquier dirección, debe estar en dirección hacia adelante o hacia atrás.
La luz no enciende.	Alambrado	Verifique que el cable azul del ventilador esté conectado al cable positivo de la casa.
	Conexiones sueltas.	Compruebe si hay cables / conexiones sueltas detrás del conjunto de luz del ventilador.
	Conexiones sueltas.	Compruebe si hay cables / conexiones sueltas en la luz del ventilador.
	Bombilla defectuosa o mal instalada	Verifique que todas las bombillas estén operando. Verifique que todas las bombillas estén operativas, reemplácelas si es necesario y asegúrese de instalarlas correctamente en los enchufes, reemplácelas si es necesario y asegúrese de instalarlas correctamente en los enchufes.
	Conexiones sueltas.	Desenchufe cualquier „conexión de enchufe” y vuelva a enchufar para garantizar una conexión adecuada
	Problemas con el controlador.	Compruebe que el interruptor de la luz esté en la posición correcta. Si este ventilador utiliza un control remoto, asegúrese de que los interruptores estén en la posición correcta y que las baterías estén funcionando. En los controles remotos con emparejamiento manual, vuelva a emparejar el transmisor remoto con el receptor remoto.
Ventilador se tambalea.	La bola del colgador no está colocada correctamente en el soporte del gancho de techo.	Apague la alimentación. Apoye el ventilador con mucho cuidado y gire la bola de suspensión para asegurarse de que la ranura de la bola de suspensión se acople con la cresta en el soporte de montaje.
	Soporte de montaje, conexión de dosel a caja de salida.	Compruebe que el soporte de montaje esté sujeto de forma segura y correcta a la caja de salida, y que la cubierta esté firmemente fijada al soporte de montaje y que el anillo de la capota esté firmemente en su lugar.
	Los tornillos de las aspas están sueltos.	Compruebe que todas las aspas estén bien apretadas. Pero NO apriete demasiado.
	Los soportes de las aspas están sueltos.	Compruebe que todos los soportes de aspas estén bien apretados. Pero NO apriete demasiado.
	Los niveles de aspas del ventilador son desiguales.	El bamboleo puede ser el resultado de un nivel de hoja inconsistente, verifique esto seleccionando un punto en el techo sobre una de las puntas de la cuchilla y mida desde la punta de la hoja hasta el techo. Sin mover la regla, gire el ventilador para que se pueda medir la siguiente cuchilla y repita para cada hoja. Si las medidas son más de 1/8" diferentes, puede ajustar las alturas de la hoja. Para ajustar la punta de un aspa hacia abajo, inserte una arandela (se vende por separado) entre la cuchilla y el soporte del aspa/motor, en el tornillo más cercano al motor. Para ajustar la punta de un aspa, inserte una arandela (se vende por separado) entre el aspa y el soporte del aspa/motor, en el tornillo/s más alejado/s del motor. El intercambio de aspas del mismo modelo puede redistribuir el peso y dar como resultado un funcionamiento más suave. Las aspas fuera de forma pueden desequilibrar el ventilador y causar bamboleos. Verifique quitando todas las cuchillas y apilándolas en una superficie plana y asegúrese de que todas las cuchillas tengan una forma uniforme. Si los pasos anteriores no eliminan el bamboleo, deberá equilibrar dinámicamente el ventilador.
	El ventilador requiere equilibrio.	Utilice el kit de equilibrio de aspa incluido para equilibrar el ventilador.
El ventilador suena ruidoso.	Dosel superior tocando techo.	Baje el dosel decorativo para que no entre en contacto con el techo.
	Tornillos de la caja sueltos.	Asegúrese de que todos los tornillos de la caja del motor estén ajustados.
	Tornillos de soporte de aspa suelto.	Asegúrese de que los tornillos que fijan el soporte del aspa del ventilador al cubo del motor estén apretados.
	Tornillos de aspa suelta.	Compruebe que todos los tornillos estén bien apretados. Pero NO apriete demasiado.
	Frotar las conexiones de tuercas de alambre.	Apague la alimentación. Asegúrese de que las conexiones de las tuercas de alambre no se froten entre sí o contra la pared interior de la caja/ dosel del interruptor.
	Cristalería suelta, bombillas o sombra	Compruebe que la pantalla de luz esté asegurada correctamente y que las bombillas utilizadas estén bien ajustadas.
	Control de velocidad de estado sólido conectado.	Algunos motores de ventilador son sensibles a las señales de los controles de velocidad variable de estado sólido. Si ha instalado este tipo de control, reemplácelo con un controlador adecuado inmediatamente.
	El soporte colgante no está instalado correctamente.	Apague la alimentación. Compruebe y, si es necesario, vuelva a instalar el soporte de la suspensión de techo si no está instalado correctamente.
	Controlador incorrecto.	Apague la alimentación. Cambie el controlador al controlador suministrado.
	NOTA: Cuando está tranquilo por la noche, es posible que escuche pequeños ruidos ocasionales, ¡ESTO ES NORMAL! Permita un período de „instalación” de 24 horas, ya que la mayoría de los ruidos asociados con un nuevo ventilador desaparecen durante este período inicial. Todos los motores eléctricos hacen ruido hasta cierto punto.	

Información técnica

Para maximizar el ahorro de energía, seleccione un ventilador con una alta eficiencia de flujo de aire y siempre apague los ventiladores cuando salga de la habitación.

- El flujo de aire del ventilador de techo se mide en pies cúbicos por minuto (CFM).
- El consumo de energía se mide en vatios (W).
- La eficiencia del flujo de aire se mide dividiendo el flujo de aire por la potencia (CFM / W)

(xx = tamaño, yy = código de color)

Surflin sin luz (235111-xyyyA)

TAMAÑO DEL VENTILADOR	VELOCIDAD	VOLTIOS	VATIOS	RPM	FLUJO DE AIRE FLUJO DE AIRE (CFM)	EFICIENCIA DEL FLUJO DE AIRE (CFM/W)	N.W.(LBS)
52"	1	120	2.6	75	1,961	754.23	10.36 lbs (4.7 kg)
	2	120	4.6	100	3,087	671.09	
	3	120	7.2	120	3,704	514.44	
	4	120	14.0	150	4,630	330.71	
	5	120	26.0	180	5,556	213.69	
60"	1	120	2.5	71	2,179	871.60	11.02 lbs (5 kg)
	2	120	4.0	90	3,550	887.50	
	3	120	7.3	115	4,536	621.37	
	4	120	11.0	135	5,324	484.00	
	5	120	27.0	167	6,587	243.96	

Surflin LED (235112-xyyyA)

TAMAÑO DEL VENTILADOR	VELOCIDAD	VOLTIOS	VATIOS DE LUZ	LUMENS	VATIOS	RPM	FLUJO DE AIRE FLUJO DE AIRE (CFM)	EFICIENCIA DEL FLUJO DE AIRE (CFM/W)	N.W.(LBS)
52"	1	120	20W	1790lm (2700K) 2000lm (3000K) 2200lm (4000K)	2.6	75	1,961	754.23	11.24 lbs (5.1 kg)
	2	120	20W		4.6	100	3,087	671.09	
	3	120	20W		7.2	120	3,704	514.44	
	4	120	20W		14.0	150	4,630	330.71	
	5	120	20W		26.0	180	5,556	213.69	
60"	1	120	20W	1790lm (2700K) 2000lm (3000K) 2200lm (4000K)	2.5	71	2,179	871.60	11.90 lbs (5.4 kg)
	2	120	20W		4.0	90	3,550	887.50	
	3	120	20W		7.3	115	4,536	621.37	
	4	120	20W		11.0	135	5,324	484.00	
	5	120	20W		27.0	167	6,587	243.96	

Cuidando a tu Ventilador



ON
↓
OFF

ADVERTENCIA: Para evitar una posible descarga eléctrica, antes de realizar cualquier mantenimiento o limpieza en su ventilador, desconecte la alimentación apagando los disyuntores a la caja de salida asociada con la ubicación del interruptor de pared.

Mantenimiento

Todos los ventiladores de techo EGLO deben recibir mantenimiento regularmente para garantizar que conservan su rendimiento.

El movimiento natural de los ventiladores puede hacer que los tornillos se aflojen. Cada 6 meses, verifique que TODOS los tornillos estén bien apretados con un destornillador. No es necesario quitar el ventilador del techo.

No hay necesidad de engrasar su ventilador. El motor tiene cojinetes lubricados permanentemente.

Limpieza

Todos los productos de ventilación EGLO deben limpiarse regularmente para asegurar contra la corrosión de la sal, el polvo y la humedad, tanto externa como interna (cuando esté permitido y sea posible). Limpiar su ventilador periódicamente ayudará a mantener su apariencia a lo largo de los años.

Todos los componentes galvanizados han sido sellados con una laca para minimizar la decoloración o el deslustre. Para evitar rayar estos acabados, use solo un cepillo suave o un paño sin pelusa. Para acabados pintados, cubra cualquier rasguño pequeño con una ligera aplicación de pasta para zapatos en un color adecuado.

Las aspas de madera se pueden tratar con un ligero recubrimiento de abrillantador de muebles adecuado para devolverlas a su mejor apariencia.

No use agua al limpiar. El agua puede dañar el motor o las aspas y podría causar un peligro eléctrico. Las manchas superficiales o una acumulación de suciedad y polvo se pueden eliminar fácilmente usando solo un paño ligeramente humedecido. NO utilice agentes de limpieza abrasivos ya que pueden dañar el acabado.

Si su ventilador está provisto de pantallas de vidrio, limpie solo con un paño suave o una esponja en agua tibia y jabón. NO SUMERJA EL VIDRIO EN AGUA CALIENTE. NO COLOQUE EL VIDRIO EN UN LAVAVAJILLAS AUTOMÁTICO.

Operación

Función inversa

Su ventilador de techo puede funcionar en “modo verano/avance” o en “modo invierno/inverso”.

Para cambiar su ventilador de techo entre el modo verano e invierno, mientras el ventilador está funcionando, presione el botón F/R, el ventilador se detendrá lentamente y luego retrocederá a la misma velocidad.



VERANO (Adelante)

Para lograr un efecto refrescante durante el verano, el ventilador de techo debe funcionar en el sentido de las agujas del reloj, forzando el aire de la habitación hacia abajo y hacia afuera, creando un efecto de sensación térmica que lo haga sentir más fresco.



INVIERNO (Reversa)

Durante el invierno, su ventilador debe funcionar en el sentido de las agujas del reloj a baja velocidad. Esto atraerá suavemente el aire más caliente desde el techo, equilibrando la temperatura de la habitación y permitiéndole bajar el termostato de calefacción.

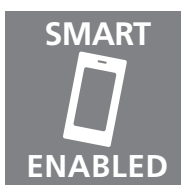
Brisa Natural



Los ventiladores de techo EGLO Surflin están equipados con una función „Brisa natural”, que es un patrón fluctuante de velocidades para emular una brisa natural.

Para activar la función Brisa natural, simplemente presione el botón correspondiente en su control remoto Surflin.

INTELIGENTE HABILITADO



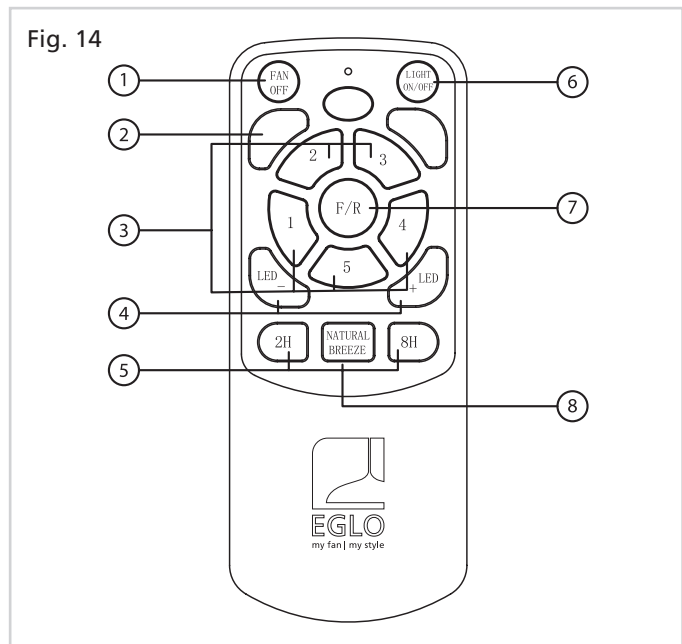
Sus ventiladores de techo EGLO Surflin se suministran con „Smart Enabled”, lo que significa que, si lo desea, puede descargar fácilmente una aplicación para comenzar a controlar su ventilador desde su dispositivo inteligente (dispositivo inteligente no incluido), o simplemente usar su ventilador con el control remoto incluido.

Para habilitar su ventilador de techo Surflin, consulte el Manual inteligente que se incluye con su ventilador de techo.

NOTA: No habilitar el Smart Control no impedirá el funcionamiento de su ventilador de techo o control remoto.

Cómo operar su control remoto (modelos LED)

1. Apague el ventilador
2. Cambiar color de luz:
 - ☑ Blanco cálido 2700K
 - Blanco suave 3000K
 - ☑ Blanco neutro 4000K
3. Velocidades del ventilador y encendido:
 - 1 - Velocidad más baja
 - 2 - Baja velocidad
 - 3 - Velocidad media
 - 4 - Alta velocidad
 - 5 - Velocidad más alta
4. Aumentar brillo (+)
Disminuir brillo (-)
5. Temporizador:
 - 2H – El ventilador se apaga después de 2 horas
 - 8H – El ventilador se apaga después de 8 horas
6. Encender y apagar la luz
7. Función de avance/retroceso
8. Función Brisa Natural



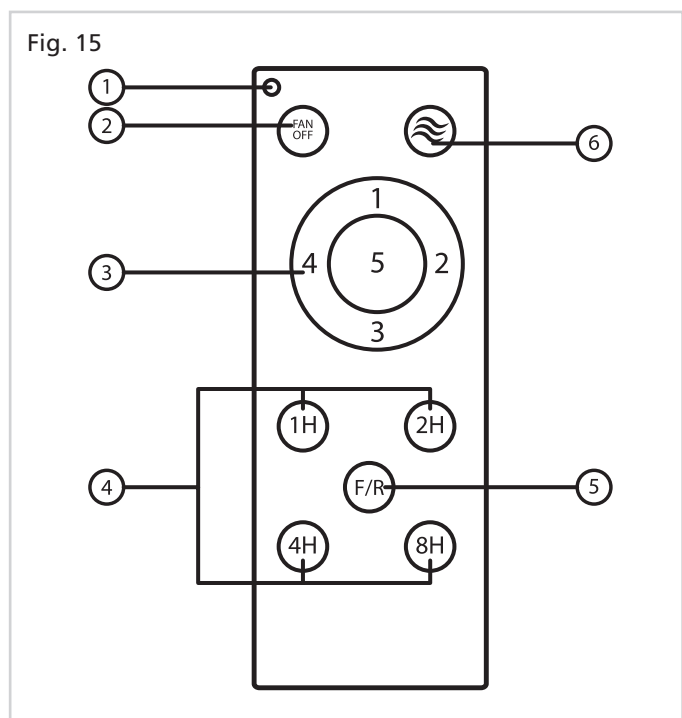
Su ventilador de techo Surflin incluye una luz tricolor integrada para que pueda cambiar entre blanco cálido, blanco suave y blanco neutro desde su control remoto Westerly: ¡su luz, a su manera!



Su luz LED Surflin también está equipada con una función de atenuación continua que le permite establecer el nivel de luz adecuado para cada habitación mediante su control remoto.

Operar su control remoto (modelos sin luz)

1. Luz indicadora LED
2. Apague el ventilador
3. Velocidad del ventilador y encendido:
 - 1 - Velocidad más baja
 - 2 - Baja velocidad
 - 3 - Velocidad media
 - 4 - Alta velocidad
 - 5 - Velocidad más alta
4. Temporizador:
 - 1H: el ventilador se apaga después de 1 hora
 - 2H: el ventilador se apaga después de 2 horas
 - 4H: el ventilador se apaga después de 4 horas
 - 8H: el ventilador se apaga después de 8 horas
5. Función de avance/retroceso
6. Función Brisa Natural



NOTA: Los ajustes de velocidad para clima cálido o frío dependen de factores como el tamaño de la habitación, la altura del techo, la cantidad de ventiladores y las preferencias personales. Experimente con diferentes configuraciones para encontrar la velocidad adecuada para usted y su ventilador.

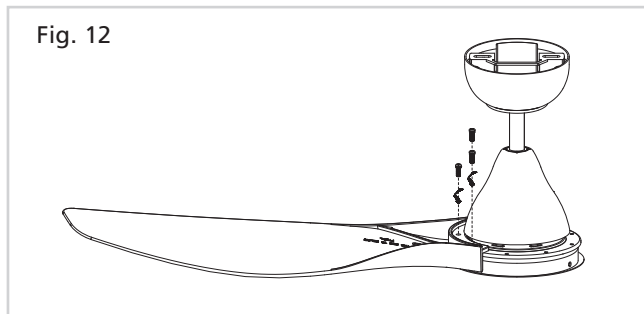
Instalación

Montaje de las cuchillas

Paso 12. Sujete cada aspa al motor usando tres tornillos de montaje por aspa. (Figura 12)

Paso 13. Vuelva a verificar que todos los tornillos estén correctamente apretados.

Fig. 12



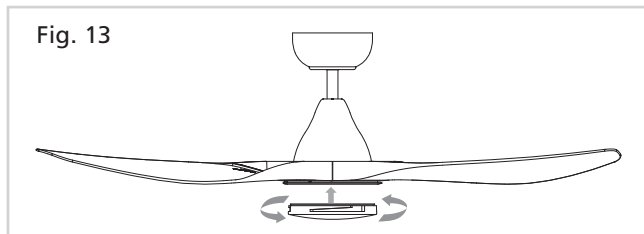
ADVERTENCIA: Para reducir el riesgo de lesiones personales, no doble los soportes de las aspas, los soportes de las aspas ni otros componentes al instalar los soportes de las aspas, equilibrar las aspas o limpiar el ventilador.

ADVERTENCIA: No inserte objetos extraños dentro o entre las aspas del ventilador en rotación.

Instalación de pantalla de luz

Paso 14. Instale la persiana alineándola con el kit de luces y gírelo en el sentido de las agujas del reloj para asegurarlo. (Figura 13)

Fig. 13



Sincronización de emparejamiento de código RF

El control remoto de su ventilador de techo Surline de EGLO elimina los interruptores DIP y la interferencia de frecuencia a través de su sincronización de emparejamiento de código RF, lo que significa que el control y el ventilador se emparejan automáticamente con un código único. Para su comodidad, esto está preestablecido en fábrica.

Si alguna vez necesita reemplazar el control remoto o repararlo, siga estos sencillos pasos. (Las aspas deben estar colocadas o el ventilador no seguirá funcionando)

INSTALACIÓN DE VENTILADOR ÚNICO:

1. Encienda la fuente de alimentación. Si su ventilador ya está encendido, apáguelo, espere 60 segundos y luego enciéndalo.
2. Dentro de los 30 segundos posteriores al encendido (conectado) del receptor, apunte el transmisor hacia el receptor y presione el botón "FAN OFF" durante 10 segundos o hasta que se escuche un pitido, lo que significa que el emparejamiento se realizó correctamente. Esto debe hacerse antes de fijar el dosel en su lugar.
3. Montaje completo de marquesina.

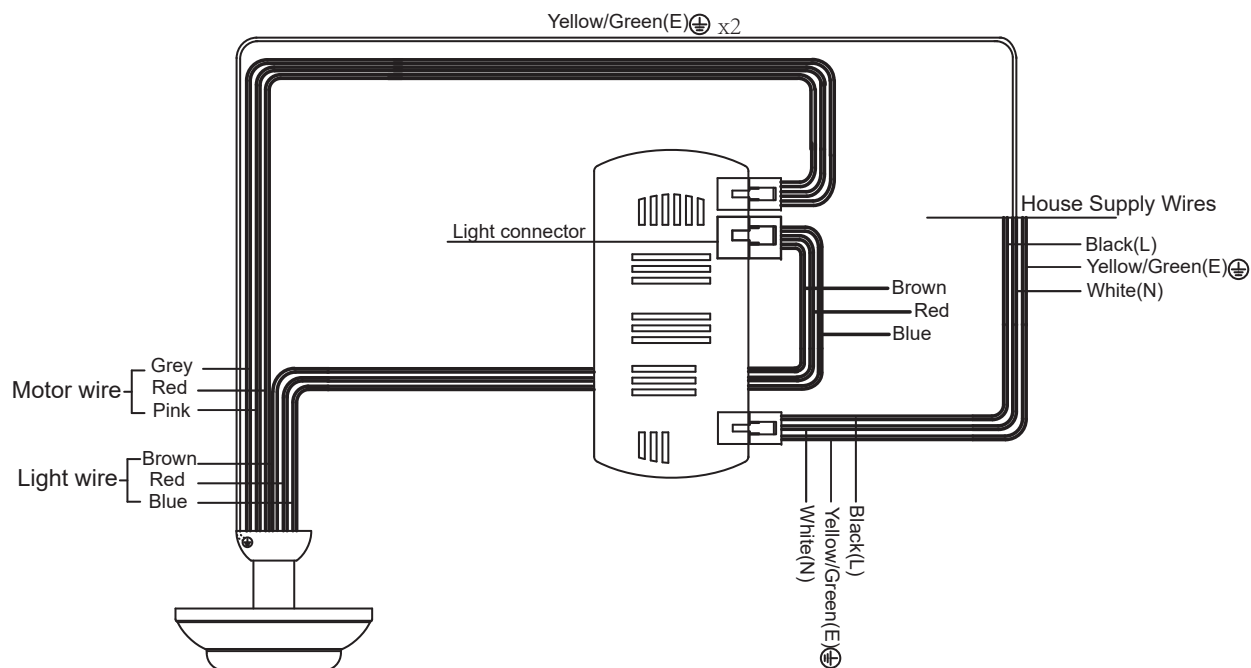
INSTALACIÓN DE MÚLTIPLES VENTILADORES:

Importante: El emparejamiento de cada ventilador DEBE realizarse con todos los demás ventiladores desconectados de la fuente de alimentación.

1. Ventilador n.º 1: conecte el cableado y encienda la fuente de alimentación; el receptor emitirá un pitido.
2. Dentro de los 30 segundos posteriores al encendido (conectado) del receptor, apunte el transmisor hacia el receptor y presione el botón "FAN OFF" durante 10 segundos o hasta que se escuche un pitido, lo que significa que el emparejamiento se realizó correctamente. Esto debe hacerse antes de fijar el dosel en su lugar.
3. Desconecte el ventilador n.º 1 de la fuente de alimentación.
4. Repita los pasos 1 a 3 para cada ventilador posterior, asegurándose de que cada ventilador adicional esté desconectado de la fuente de alimentación antes de continuar con la sincronización del siguiente ventilador.
5. Solo una vez que todos los ventiladores se hayan emparejado/sincronizado y probado exitosamente en transmisores de control remoto separados, se podrán volver a conectar todos los ventiladores a la alimentación y completar el montaje de la cubierta.

Nota: Si el control remoto no se empareja, desconecte la alimentación del ventilador y déjelo desconectado durante un mínimo de 60 segundos antes de volver a conectarlo y comenzar los pasos 1 a 3 nuevamente.

Fig. 9



Nota: Cables de luz solo en modelos LED.

Finalización de la instalación del dosel

- Paso 8.** Después de completar las conexiones de los cables, coloque el receptor remoto en el soporte del techo (Fig. 13) y meta todas las conexiones cuidadosamente en la caja eléctrica del techo.
- Paso 9.** Retire parcialmente los dos tornillos en la parte inferior del soporte para colgar en el techo. (Fig. 14)
- Paso 10.** Fije la cubierta alineando las cabezas de los tornillos con las ranuras tipo ojo de cerradura en la cubierta y empujando la cubierta hacia el soporte. Gire la cubierta en el sentido de las agujas del reloj para fijarla en su posición, luego apriete los dos tornillos. (Figura 11)
- Paso 11.** Levante el anillo de la cubierta hasta la cubierta y empujelo hacia la cubierta. (Figura 11)

Fig. 10

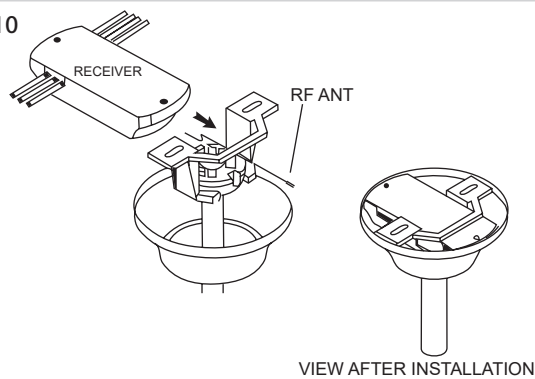
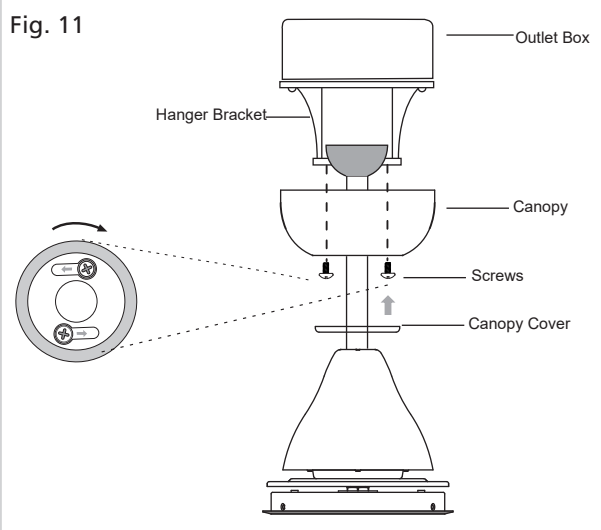


Fig. 11



Instalación

Advertencia!



ADVERTENCIA: Para evitar una posible descarga eléctrica, antes de instalar el ventilador, desconecte la alimentación apagando los disyuntores de la caja de salida asociada con la ubicación del interruptor de pared.

Haciendo de las conexiones eléctricas

Su ventilador EGLO se suministra con cables conductores de 80" para permitir el uso con varillas descendentes de hasta 72" (se venden por separado). Si no necesita toda la longitud del cable conductor, corte cuidadosamente todos los cables asegurándose de que haya suficiente para completar correctamente la instalación.

Siga los pasos a continuación para conectar el ventilador al cableado de su hogar utilizando las tuercas de conexión de cable suministradas con su ventilador. Asegúrese de fijar los conectores con cinta aislante y asegúrese de que no haya hebras o conexiones sueltas.

Paso 8. Conecte el cable blanco neutro del ventilador al cable blanco neutro del hogar.

Paso 9. Conecte el cable negro del ventilador al cable del interruptor de velocidad de control de pared. Conecte el cable azul claro al cable de luz de control de pared. Conecte el cable negro de control de pared al cable negro de la casa.

Paso 10. Conecte el cable verde o cobre desnudo de la caja de salida al soporte del gancho y los cables de tierra verdes de la varilla descendente. (Figura 8 y 9)

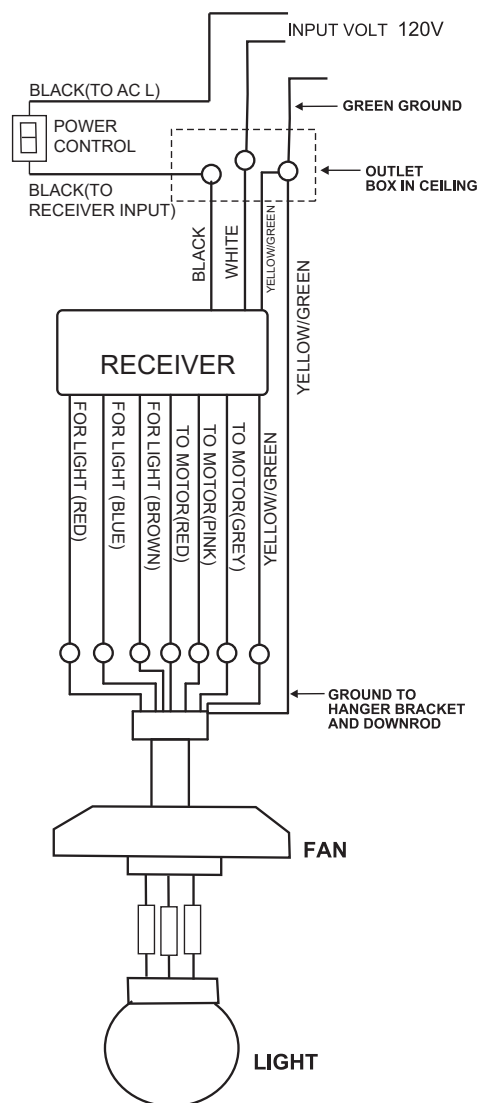
NOTA: El color del cable fuera del control de pared puede variar, consulte el manual de instalación del control de pared para obtener las conexiones de cable correctas.

Paso 11. Gire las tuercas de conexión hacia arriba y empuje el cableado en la caja de salida; Separe los cables con el conductor conectado a tierra y el conductor de puesta a tierra del equipo en un lado de la caja de salida y el conductor sin conexión a tierra en el otro lado de la caja de salida.

ADVERTENCIA!

NO UTILICE ESTE VENTILADOR DE MOTOR DE CC JUNTO CON NINGÚN CONTROL DE PARED VARIABLE (REÓSTATO).

Fig. 8



Nota: Cables de luz solo en modelos LED.

Instalación

⚠ Advertencia!



ADVERTENCIA: Para evitar una posible descarga eléctrica, antes de instalar el ventilador, desconecte la alimentación apagando los disyuntores de la caja de salida asociada con la ubicación del interruptor de pared.

Colgar el ventilador

- Paso 1.** Pase los cables de alimentación de 120 voltios a través del orificio central en el soporte de la suspensión del techo como se muestra en la Figura 5.
- Paso 2.** Asegure el soporte para colgar a la caja eléctrica del techo con los tornillos y arandelas incluidos con la caja eléctrica del ventilador. (Figura 5)
- Paso 3.** Retire el pasador del gancho, el pasador de bloqueo y configure tornillos de la parte superior del conjunto del motor.
- Paso 4.** Enrutar los cables que salen de la parte superior del ventilador motor a través del dosel, cubierta de acoplamiento y luego a través de la bola / varilla descendente. (Figura 6)
- Paso 5.** Alinee los orificios en la parte inferior de la varilla descendente con los orificios del cuello en la parte superior de la caja del motor. Inserte con cuidado el pasador de enganche a través de los orificios del cuello y la varilla descendente. Tenga cuidado de no atascar el pasador contra el cableado dentro de la varilla descendente. Inserte el pasador de bloqueo a través del orificio cerca del extremo del pasador de enganche hasta que encaje en su posición de bloqueo. (Figura 6)
- Paso 6.** Apriete FIRMEMENTE dos tornillos de ajuste en la parte superior del motor del ventilador.
- Paso 7.** Coloque la bola de varilla descendente en el gancho Zócalo de soporte. Esto le permitirá realizar las conexiones eléctricas. (Figura 7)

Fig. 5

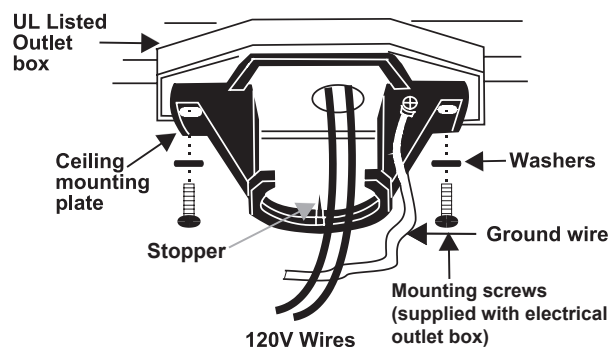


Fig. 6

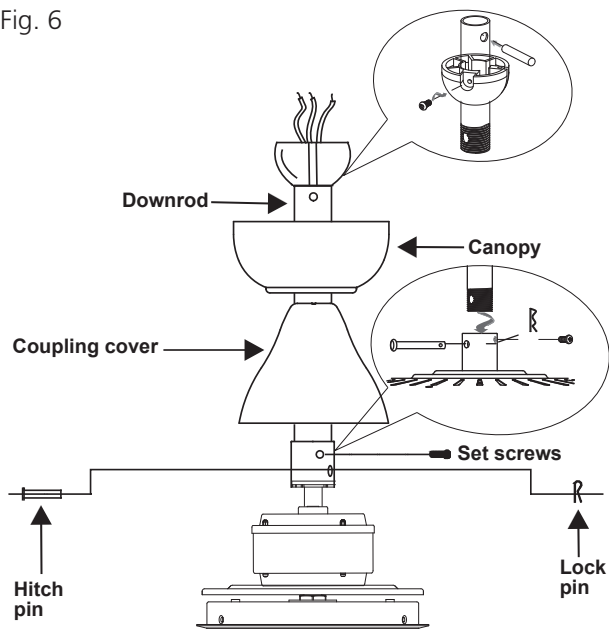
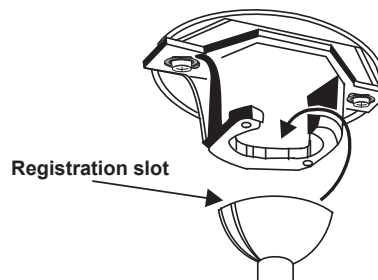


Fig. 7



Para techos en ángulo, coloque el soporte de montaje en el techo de modo que la abertura esté orientada hacia el pico.



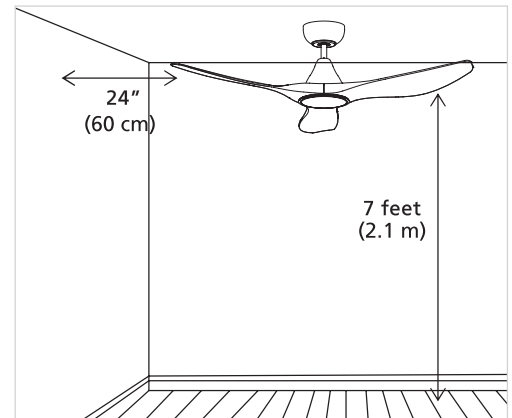
Para reducir el riesgo de incendio, descarga eléctrica u otras lesiones personales, monte el ventilador solo en una caja de salida o sistema de soporte marcado. Aceptable para el soporte de los ventiladores.

Antes de la instalación

Elegir la ubicación correcta

El ventilador de techo debe instalarse en un lugar interior que:

- Las aspas tengan un espacio mínimo de 24" (60 cm) desde la punta de la hoja, hasta la obstrucción o pared más cercana.
- El borde posterior de las aspas estén a un mínimo de 7 pies (2.1 m) por encima del piso.
- Los ventiladores de techo EGLO Surfline son adecuados tanto para interiores como para exteriores debidamente cubiertos.



Opciones de montaje

Si no hay una caja de salida existente, lea las siguientes instrucciones:

1. Desconecte la alimentación apagándola en el panel de servicio y bloquee los medios de desconexión del servicio para evitar que se encienda accidentalmente. Si no puede bloquear los medios de desconexión del servicio, fije de forma segura un dispositivo de advertencia como una etiqueta al panel Servicio.
2. Asegure la caja de salida directamente a la estructura del edificio. Utilice sujetadores y materiales de construcción apropiados.

La caja de salida y su soporte deben ser capaces de soportar completamente el peso en movimiento del ventilador (al menos 50 libras). No utilice cajas de salida de plástico, use solo cajas de salida con la lista UL marcadas como „PARA SOPORTE DE VENTILADOR“.

Opción 1. Caja de salida ahuecada montada para soportar el refuerzo ajustado de forma segura entre vigas. (Figura 1)

Opción 2. Caja de salida ahuecada montada en la parte inferior de la vigueta. (Figura 2)

&

Caja de salida montada para soportar abrazadera laminada a un lado de la vigueta. (Figura 2)

Opción 3. Recessed outlet box mounted to Joist on angled ceiling. (Figura 3)

NOTA: Techo en ángulo, ángulo máximo 20°. Para el montaje en techos con un ángulo de más de 20°, necesitará un dosel de techo inclinado EGLO. También es posible que necesite una varilla descendente más larga para mantener la holgura adecuada de la hoja cuando se instala en un techo inclinado pronunciadamente.

Opción 4. Caja de salida montada en una barra colgante (se vende por separado) asegurada entre viguetas para colgar su ventilador donde haya un accesorio existente pero no una viga de techo. (Figura 4)

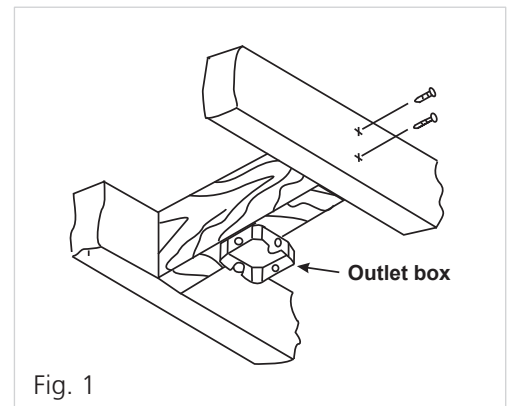


Fig. 1

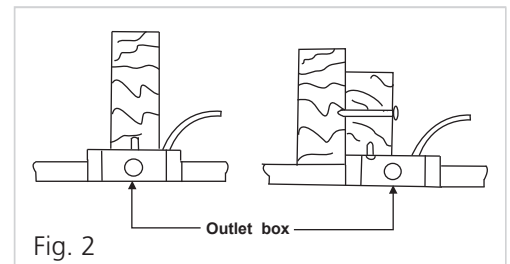


Fig. 2

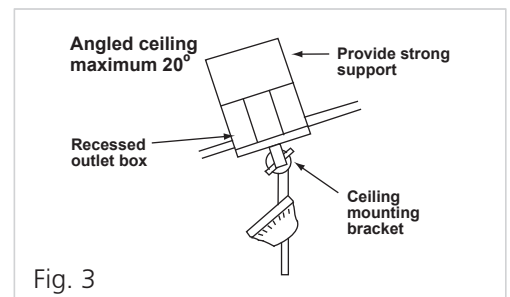
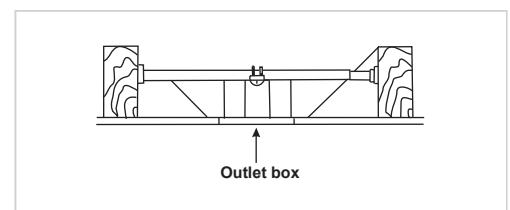
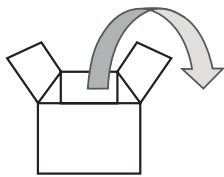


Fig. 3



Antes de la instalación

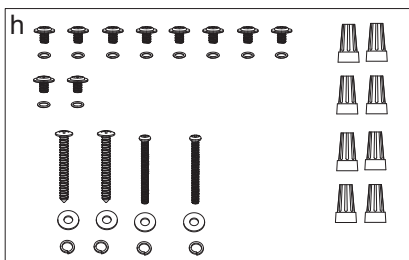
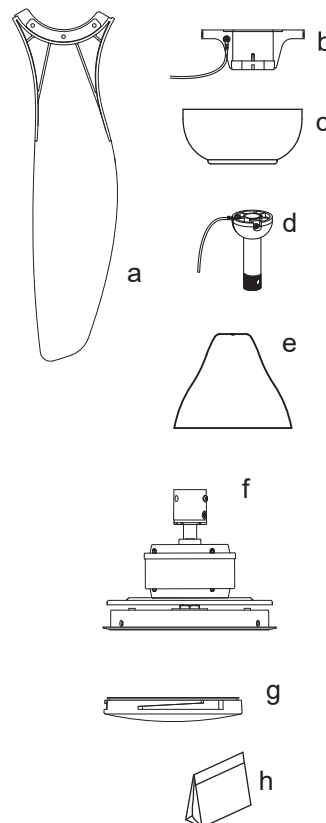
Lo que viene en la caja:



- Desempaque cuidadosamente su ventilador sobre una superficie blanda para evitar daños en el acabado del ventilador. No coloque la caja del motor de lado, ya que las cajas decorativas pueden doblarse o dañarse.
- Compruebe que todas las piezas están presentes antes de comenzar el montaje. Consulte Lista de piezas. Si falta alguna pieza, revise cuidadosamente el embalaje ecológico y las bolsas para ver si faltan las piezas, y si no se pueden localizar, comuníquese con EGLO para obtener ayuda antes de comenzar el ensamblaje o la instalación

Parts List:

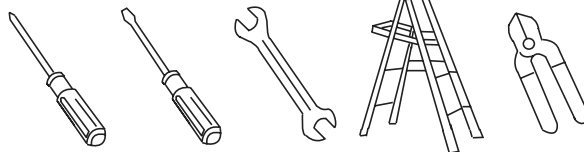
- a. Aspas
- b. Soporte de techo
- c. Canopy y anillo de dosel
- d. Montaje de varilla descendente
- e. Cubierta de acoplamiento
- f. Conjunto de motor del ventilador
- g. Sombra clara (modelos LED)
- h. Paquete de hardware
 - 2 x Tornillos y arandelas de madera
 - 2 x Soporte de techo Tornillos y arandelas
 - Tuercas de alambre
 - 10 x Tornillos de fijación de aspas y arandelas
 - 1 x Remote control & receiver (not pictured)



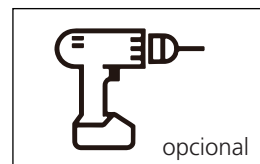
Herramientas necesarias para completar la instalación:



- Destornillador de cabeza Philips
- Destornillador de cabeza de plana
- 7/16" llave inglesa
- Escalera de mano
- Cortadora de alambre
- Opcional: taladro y broca



NOTA: Los destornilladores eléctricos pueden apretar demasiado los tornillos y dañar las roscas. NO utilice destornilladores eléctricos para los tornillos de las aspas del ventilador.



Para su seguridad



¡ADVERTENCIA!

Para evitar una posible descarga eléctrica, antes de instalar o reparar el ventilador, desconecte la alimentación apagando los disyuntores de la caja de salida y la ubicación del interruptor de pared asociado. Si no puede bloquear los disyuntores en la posición de apagado, fije de forma segura un dispositivo de advertencia prominente, como una etiqueta, al panel de servicio.

1. Lea toda la información e instrucciones de seguridad, incluidos los diagramas de montaje, antes de instalar el nuevo ventilador.
 2. Todo el cableado debe estar de acuerdo con el código eléctrico nacional ,ANSI/NFPA 70' y los códigos eléctricos locales. Si no está familiarizado con la instalación de cableado eléctrico o se siente incómodo con alguna parte de la instalación, comuníquese con un electricista calificado para completar su instalación.
 3. **ADVERTENCIA:** Para reducir el riesgo de incendio, descarga eléctrica o lesiones personales, monte el ventilador en una caja de salida octogonal de metal marcada como „aceptable para soporte de ventilador de al menos 70 libras (31.8 kg) y use SOLO los dos tornillos de montaje de acero (y arandelas de bloqueo) provistos con la caja de salida para montar en la caja de salida. La mayoría de las cajas de enchufe comúnmente utilizadas para el soporte de accesorios de iluminación no son aceptables para el soporte del ventilador y pueden necesitar ser reemplazadas, consulte a un electricista calificado en caso de duda.
 4. **ADVERTENCIA:** Verifique que la caja de salida esté instalada de forma segura y que pueda soportar de manera confiable un mínimo de 70 libras (31.8 kg). Utilice solo las cajas de toma de corriente UL Listed marcadas como "PARA SOPORTE DE VENTILADORES".
 5. Después de hacer conexiones eléctricas, los conductores empalmados deben girarse hacia arriba y empujarse cuidadosamente hacia arriba en la caja de salida. Los cables deben separarse con el conductor conectado a tierra y el conductor de puesta a tierra del equipo en un lado de la caja de salida y el conductor sin conexión a tierra en el otro lado de la caja de salida.
 6. Los diagramas eléctricos son sólo de referencia. El kit de luces que no esté empaquetado con el ventilador debe estar listado por UL y marcado como adecuado para su uso con el modelo de ventilador que está instalando. Los interruptores deben ser interruptores de uso general de UL. Consulte las instrucciones incluidas con los kits de luz e interruptores para un montaje adecuado.
 7. El ventilador debe montarse con un espacio mínimo de 7 pies (2.1 m) desde el borde posterior de las aspas hasta el piso. También debe haber un espacio libre mínimo de 2.0 pies (60 cm) entre la punta de la hoja y la pared u objeto más cercano.
 8. No instale ni utilice el ventilador si alguna pieza está dañada o falta. Utilice solo piezas de repuesto EGLO.
 9. Todos los tornillos de fijación deben revisarse y apretarse de nuevo cuando sea necesario antes de la instalación..
 10. Las medidas de seguridad e instrucciones de este manual no están diseñadas para cubrir todas las condiciones o circunstancias posibles. Se entiende que el sentido común, la precaución y el cuidado son factores que no se pueden incorporar en el producto, y aquellos que instalan, operan y mantienen este producto deben proporcionar estos factores.
 11. **ADVERTENCIA:** Para reducir el riesgo de descargas eléctricas e incendios, no utilice este ventilador con ningún dispositivo de control de velocidad del ventilador de estado sólido. Instale y opere SOLO el controlador EGLO suministrado con su ventilador, o un controlador EGLO adecuado diseñado específicamente para su ventilador.
 12. **ADVERTENCIA:** Para reducir el riesgo de lesiones personales, no doble los soportes de las aspas, los soportes de las aspas u otros componentes al instalar los soportes del aspa, equilibrar las aspas o limpiar el ventilador.
 13. **ADVERTENCIA:** No inserte objetos extraños dentro o entre las aspas giratorias del ventilador.
 14. SOLO cambie la dirección de su ventilador como se indica en este manual.
 15. Apague el ventilador y espere a que las aspas se detengan por completo antes de realizar cualquier mantenimiento o limpieza. Siempre tenga cuidado al trabajar o limpiar el ventilador.
 16. No utilice agua ni detergentes cuando limpie el ventilador o las aspas del ventilador. Un paño de polvo seco o un paño ligeramente humedecido será adecuado para la mayoría de las limpiezas.
 17. Este dispositivo cumple con la parte 15 de las Reglas de la FCC. La operación está sujeta a las dos condiciones siguientes:
 - Este dispositivo no puede causar interferencias perjudiciales, y.
 - Este dispositivo debe aceptar cualquier interferencia recibida, incluidas las interferencias que puedan causar un funcionamiento no deseado.
- Nota:** Este equipo ha sido probado y cumple con los límites para un dispositivo digital de Clase B, de conformidad con la parte 15 de las Reglas de la FCC. Estos límites están diseñados para proporcionar una protección razonable contra interferencias perjudiciales en una instalación residencial. Este equipo genera, utiliza y puede irradiar energía de radiofrecuencia y, si no se instala y utiliza de acuerdo con las instrucciones, puede causar interferencias perjudiciales a las comunicaciones por radio. Sin embargo, no hay garantía de que no se produzcan interferencias en una instalación en particular. Si este equipo causa interferencias perjudiciales en la recepción de radio o televisión, lo que se puede determinar apagando y encendiendo el equipo, intente corregir la interferencia mediante una o más de las siguientes medidas:
- Reorientar o reubicar la antena receptora.
 - Aumentar la separación entre el equipo y el receptor.
 - Conecte el equipo a una toma de corriente en un circuito diferente al que está conectado el receptor.
 - Consulte al distribuidor o a un técnico experimentado de radio / TV para obtener ayuda.
- Cautela:** Las modificaciones no aprobadas por la parte responsable del cumplimiento podrían anular la autoridad del usuario para operar el equipo.
18. Este aparato no está destinado a ser utilizado por personas (incluidos niños) con capacidades físicas, sensoriales o mentales reducidas, o falta de experiencia y conocimiento, a menos que hayan recibido supervisión o instrucciones sobre el uso del aparato por parte de una persona responsable de su seguridad..
 19. NO permita que los niños jueguen con este aparato y siempre supervise a los niños alrededor de los dispositivos eléctricos.
 20. EGLO USA no será responsable de ningún consejo dado al consumidor por parte de terceros, incluidos proveedores, minoristas y electricistas.

Tabla de contenidos

PARA SU SEGURIDAD:	5
ANTES DE LA INSTALACIÓN:	
LO QUE VIENE EN LA CAJA:	6
HERRAMIENTAS NECESARIAS PARA COMPLETAR LA INSTALACIÓN:.....	6
ELEGIR LA UBICACIÓN CORRECTA:	7
OPCIONES DE MONTAJE:.....	7
INSTALACIÓN:	
COLGAR EL VENTILADOR:	8
HACIENDO DE LAS CONEXIONES ELÉCTRICAS:.....	9
FINALIZACIÓN DE LA INSTALACIÓN DEL DOSEL:	10
MONTAJE DE LAS ASPAS:	11
INSTALACIÓN DE CORTINAS LIGERA:	11
SINCRONIZACIÓN DE EMPAREJAMIENTO DE CÓDIGO RF:.....	11
OPERACIÓN:	
OPERAR SU CONTROL REMOTO (Modelos LED):	12
OPERAR SU CONTROL REMOTO (Modelos sin luz):	12
FUNCIÓN INVERSA:	13
BRISA NATURAL:	13
INTELIGENTE HABILITADO:	13
CUIDANDO A TU VENTILADOR :	
MANTENIMIENTO:.....	14
LIMPIEZA:	14
INFORMACIÓN TÉCNICA:	15
SOLUCIÓN DE PROBLEMAS:	16
GARANTÍA:	
GARANTÍA LIMITADA DE POR VIDA:.....	17
¿QUÉ CUBRE ESTA GARANTÍA??:	17
LO QUE NO ESTÁ CUBIERTO:	18
TARJETA DE REGISTRO DEL PRODUCTO:.....	19

LEA Y GUARDE ESTAS INSTRUCCIONES

Felicitaciones

Felicitaciones por la compra de su nuevo ventilador de techo EGLO, su ventilador de techo EGLO mejorará su comodidad cada día, durante muchos años.

Este manual ha sido diseñado para que la instalación sea lo más sencilla posible y le guiará durante el montaje y la instalación de su nuevo ventilador de techo, además de proporcionarle valiosa información de seguridad sobre la instalación y el funcionamiento de su ventilador. Lea todas las instrucciones incluidas, los procedimientos de instalación, las directrices para la resolución de problemas y la información sobre la garantía antes de comenzar la instalación.

Estamos aquí para ayudarle

Si tiene alguna pregunta sobre su ventilador de techo, lea primero todas las instrucciones incluidas, los procedimientos de instalación, las directrices para la resolución de problemas y la información sobre la garantía. Si faltan piezas, compruebe primero cuidadosamente el embalaje ecológico y, si no las encuentra, póngase en contacto con EGLO para solicitar asistencia.

Por favor, tenga a mano la siguiente información cuando llame:

1. Nombre y número del modelo
2. Descripción y cantidad de la pieza
3. Fecha y lugar de compra



+1 877 892 0007



Horario de apertura: 8:30 a.m. - 5 p.m. EST



info-usa@eglo.com

Cuidar su entorno

La caja de cartón y el embalaje interior de su nuevo ventilador de techo EGLO están hechos de materiales reciclables ecológicos, que puede reciclar a través de su recolección en la acera o mediante programas comunitarios locales.



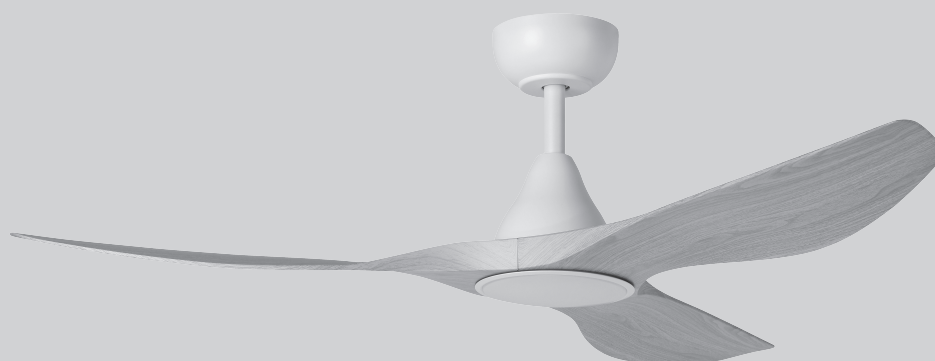
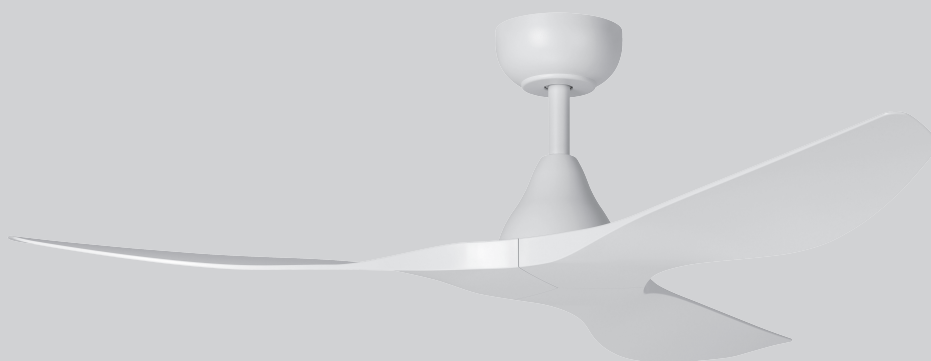
No tire los aparatos eléctricos a la basura, utilice un servicio de recogida selectiva o deposítelos en el punto de recogida específico más cercano. Compruebe la disponibilidad en su localidad.

Si los aparatos eléctricos se tiran en vertederos o basureros, las sustancias peligrosas pueden filtrarse a las aguas subterráneas y llegar a la cadena alimentaria, perjudicando su salud y bienestar.

EGLO Lighting tiene una política de mejora y desarrollo continuos de sus productos, las dimensiones, el hardware y los diseños pueden cambiar para reflejar esta política. EGLO se reserva el derecho a interrumpir o cambiar las especificaciones y diseños de los productos en cualquier momento sin previo aviso y sin incurrir en obligaciones. Las imágenes que incluyen todas las características y especificaciones de este manual tienen únicamente fines ilustrativos. Las imágenes de los detalles del producto y los dibujos lineales pueden variar dependiendo de los modelos específicos del producto.



EGLO
my fan | my style



SURFLINE

Guía del propietario (ESPAÑOL)

Seguridad

Instalación

Funcionamiento

Técnica

Garantía

Modelos sin luz: 235111-xxyyA

Modelos LED: 235112-xxyyA

(xx = size, yy = color code)

